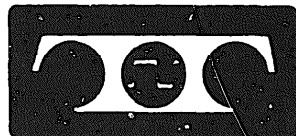


TM-11-5815-365-14-3  
NAVELEX 0967-426-4010  
TO 31W4-2FG-1351-6

**BULLETIN 1208B**

**HIGH SPEED TAPE SENDER  
AND RECEIVER SETS  
FOR  
MULTIPLE ADDRESS  
PROCESSING SYSTEM (MAPS)  
PARTS  
(A MODEL)**

This publication replaces all previously dated Army and Navy manuals, and the Air Force TO 31W4-2FG-1351 Vol 5 of 6.



**TELETYPE®**  
**CORPORATION**  
8888 TOWHY AVENUE, SKOKIE, ILLINOIS

MARCH 1972

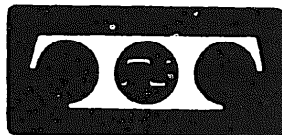
TM-11-5815-365-14-3  
NAVELEX 0967-426-4010  
TO 31W4-2FG-1351-6

**REPRINTED BY COURTESY OF THE TELETYPE CORPORATION.**  
**(Reprinted by FMC-98230, MARCH 1972)**

**BULLETIN 1208B**

**HIGH SPEED TAPE SENDER  
AND RECEIVER SETS  
FOR  
MULTIPLE ADDRESS  
PROCESSING SYSTEM (MAPS)  
PARTS  
(A MODEL)**

**This publication replaces all previously dated Army and Navy  
manuals, and the Air Force TO 31W4-2FG-1351 Vol 6 of 6.**



**TELETYPE<sup>®</sup>  
CORPORATION**

8888 TOWHY AVENUE, SKOKIE, ILLINOIS

**MARCH 1972**

TABLE OF CONTENTS

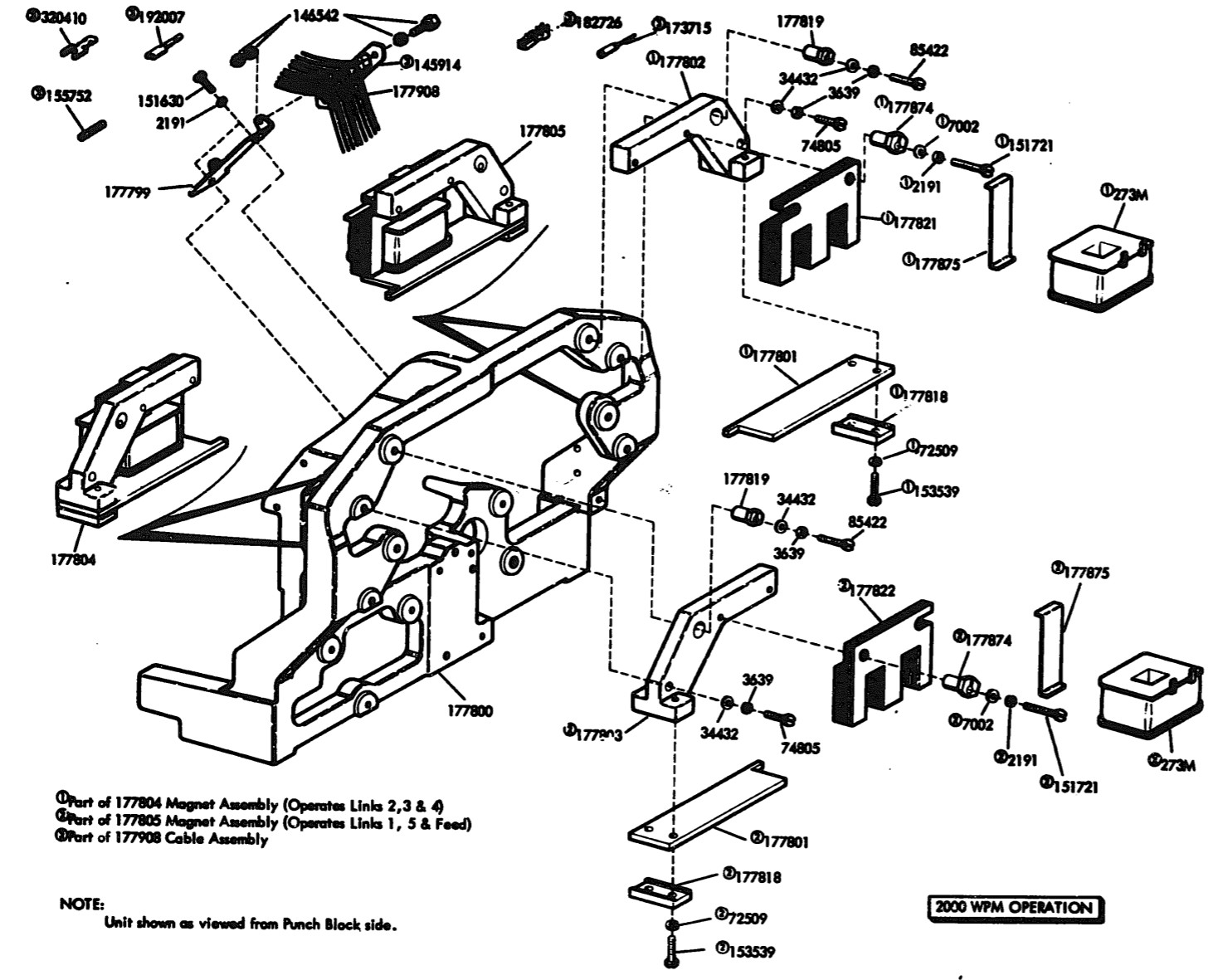
SECTION	TITLE	ISSUE	DATE
592-803-800TC	High Speed Tape Punch (DRPE)	5	January 1969
592-851-830TC	Master and Supplementary High Speed Tape Sender Cabinets (AC) for Multiple Address Processing System (MAPS)	*3	August 1970
592-852-830TC	High Speed Tape Receiver Cabinet (AC) for Multiple Address Processing System (MAPS)	*3	August 1970
592-955-800TC	High Speed Tape Reader (DX)	2	January 1969

\*Indicates revised sections

**CONTENTS**

1	<b>Main Frame and Magnet Assemblies without Silencing Bumpers (5 Level)</b>	2
2	<b>Main Frame and Magnet Assemblies with Silencing Bumpers (5 and 8 Level)</b>	3
3	<b>Punch Block and Feed Mechanism (5 and 8 Level)</b>	
4	<b>Main Frame and Magnet Assemblies with Silencing Bumpers (6 and 8 Level)</b>	
5	<b>Punch Block and Feed Mechanism (6 and 8 Level)</b>	6
6	<b>Punch Block with Verifier and Tape Guides for Back-up Mechanism</b>	7
7	<b>Feed Drive Mechanism</b>	8
8	<b>Electrical Components</b>	9
9	<b>Electrical Components</b>	10
10	<b>320377 Front Plate Assembly for Back-up Mechanism</b>	11
11	<b>320378 (Intermediate) and 320380 (Drive) Shaft Assemblies</b>	12
12	<b>320376 Rear Plate Assembly for Back-up Mechanism</b>	13
13	<b>Light Source Assembly</b>	14
14	<b>320385 Tape Guide Assembly for Back-up Mechanism</b>	15
15	<b>Tape Guides</b>	16
	<b>Numerical Index</b>	17

FIGURE 1. MAIN FRAME AND MAGNET ASSEMBLIES WITHOUT SILENCING BUMPERS (5 Level)



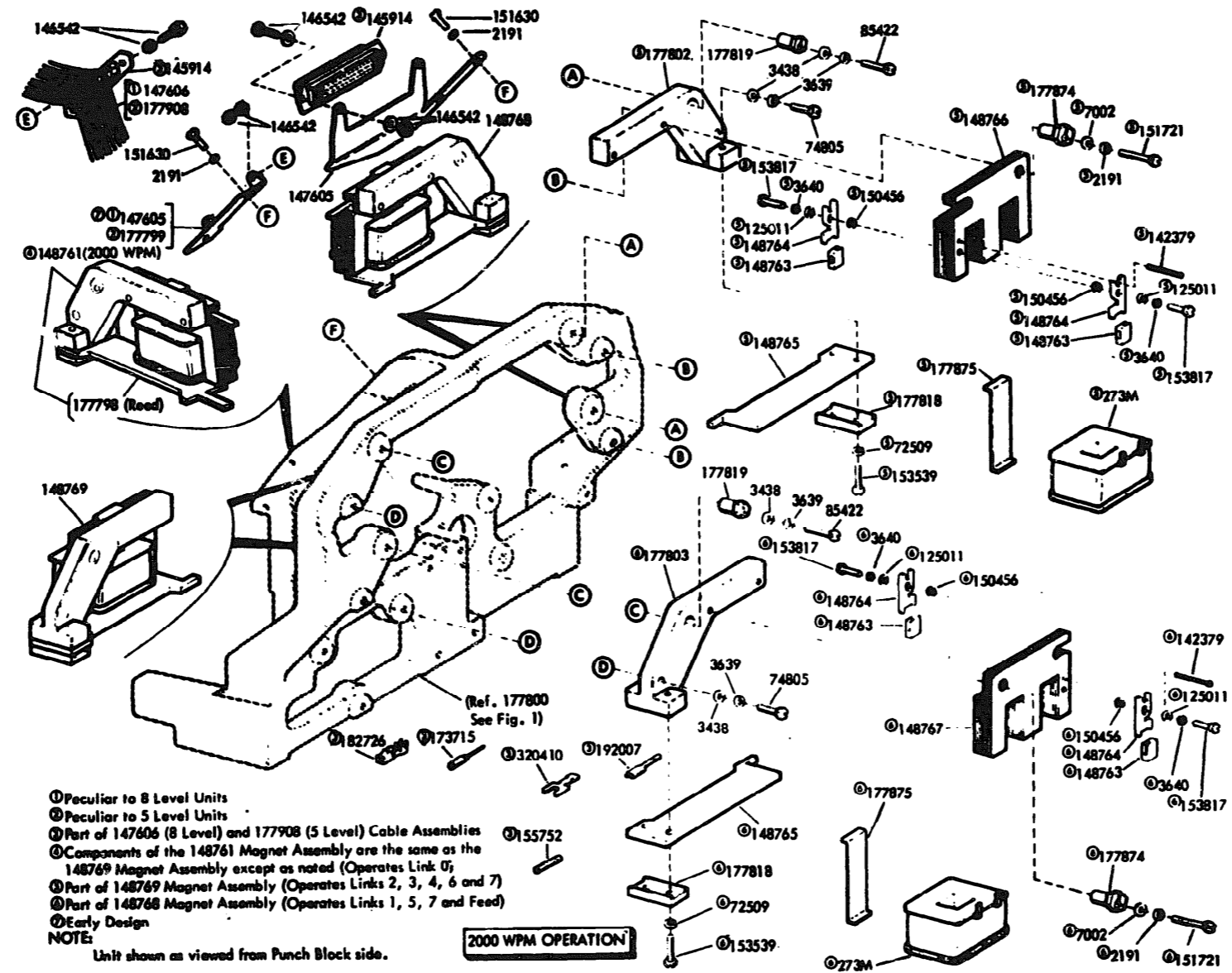


FIGURE 2. MAINFRAME AND MAGNET ASSEMBLIES WITH SILENCING BUMPERS (5 and 8 Level)

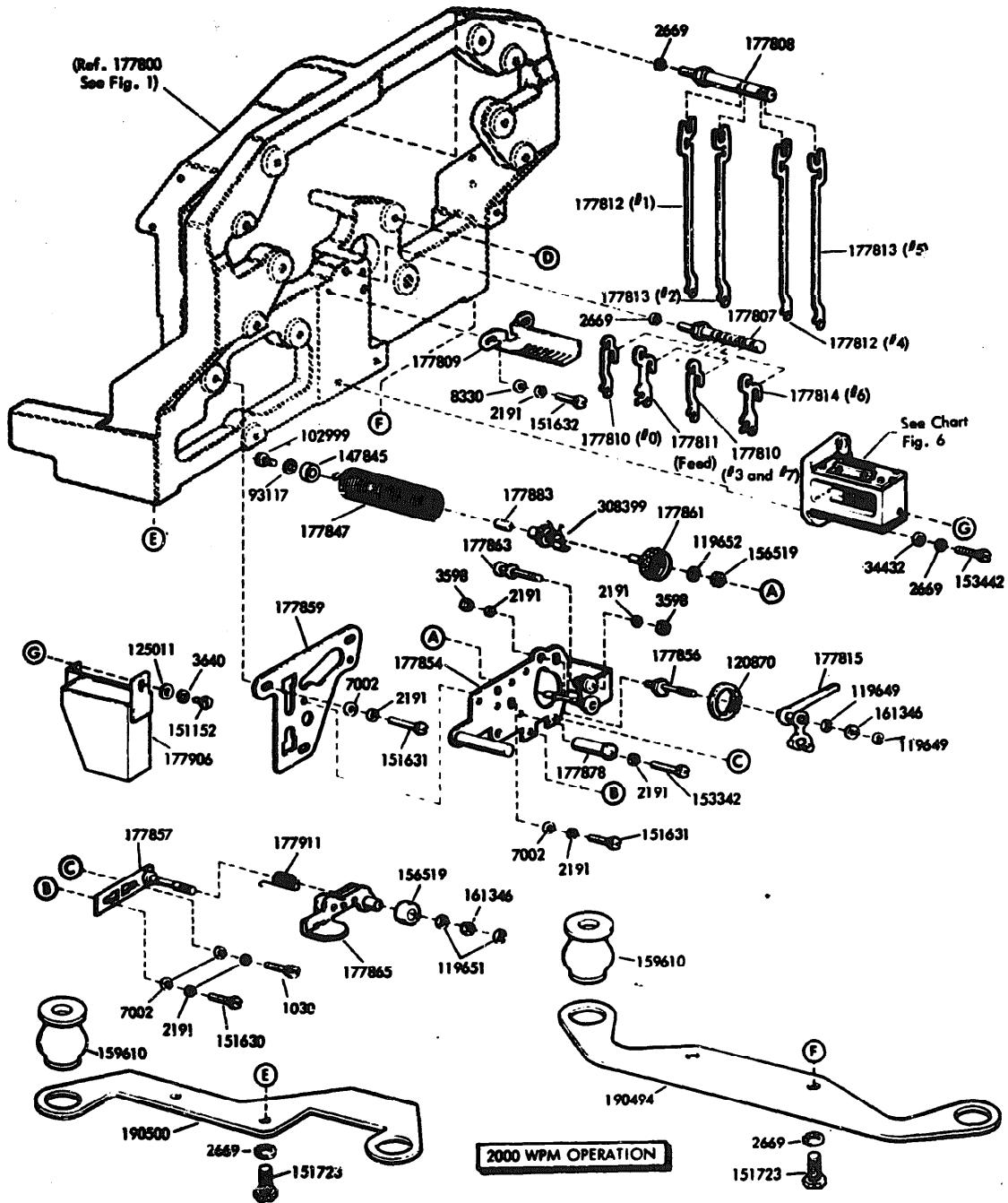


FIGURE 3. PUNCH BLOCK AND FEED MECHANISM (5 and 8 Level)

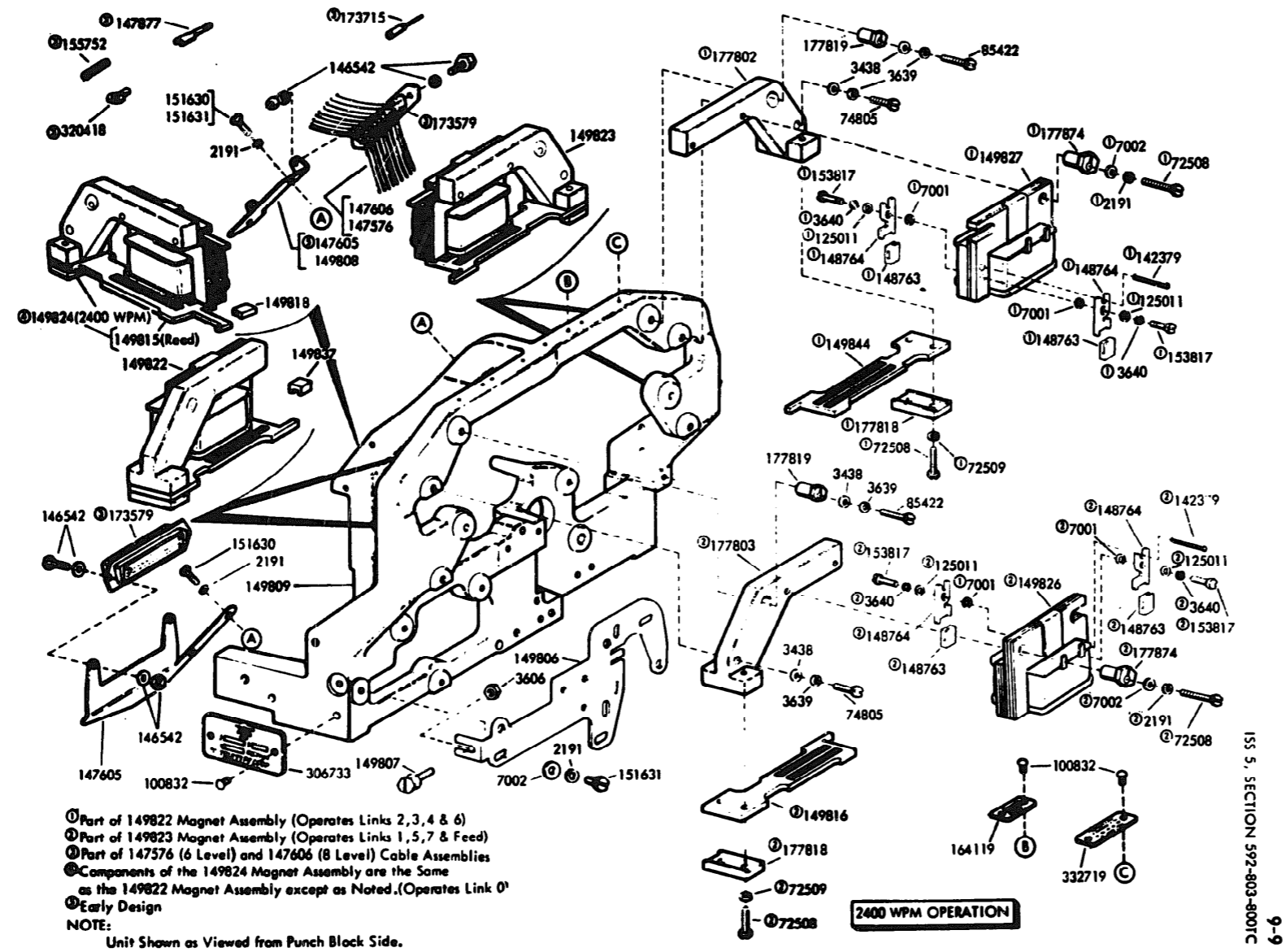


FIGURE 4. MAINFRAME AND MAGNET ASSEMBLIES WITH SILENCING BUMPERS (6 and 8 Level)









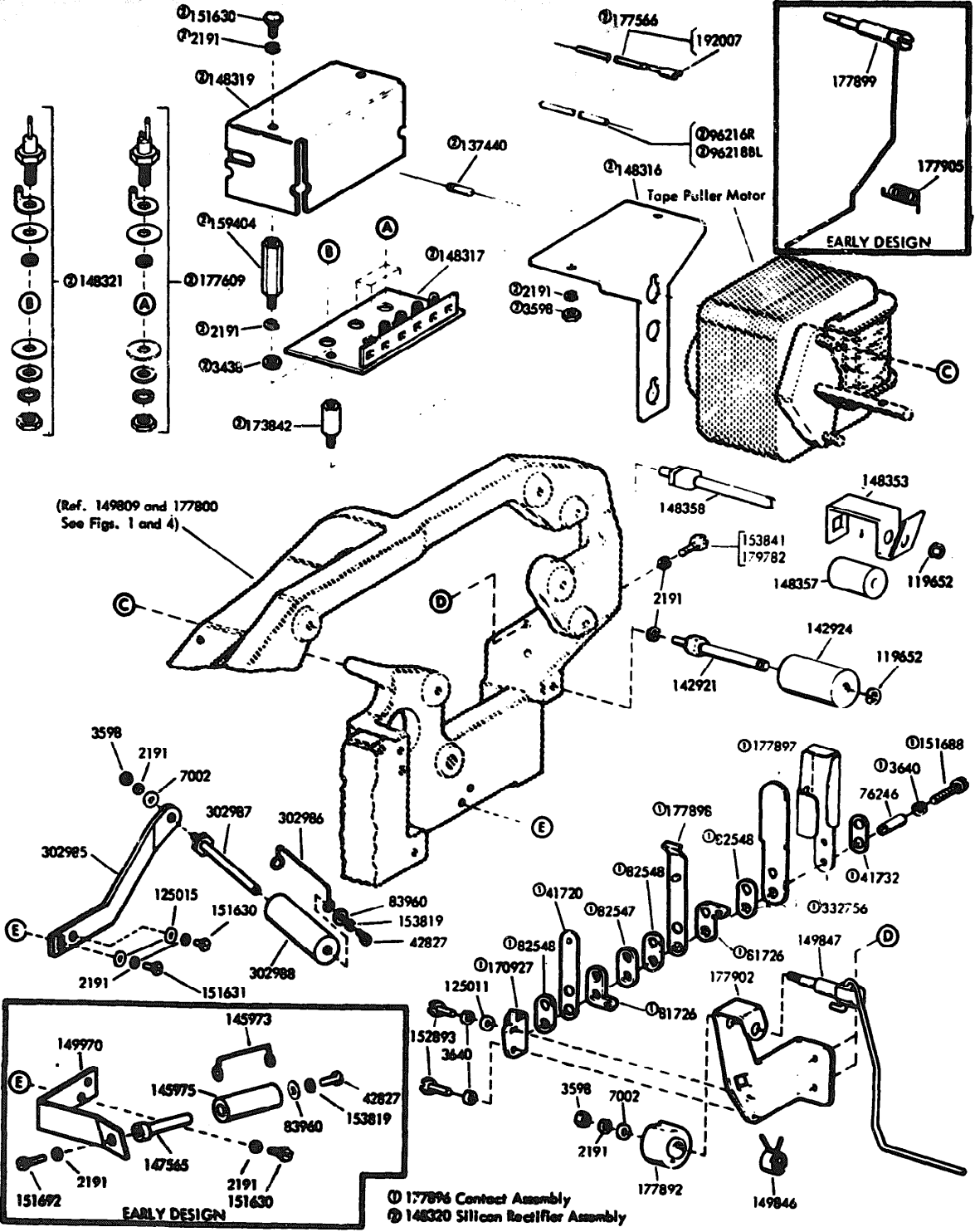


FIGURE 8. ELECTRICAL COMPONENTS

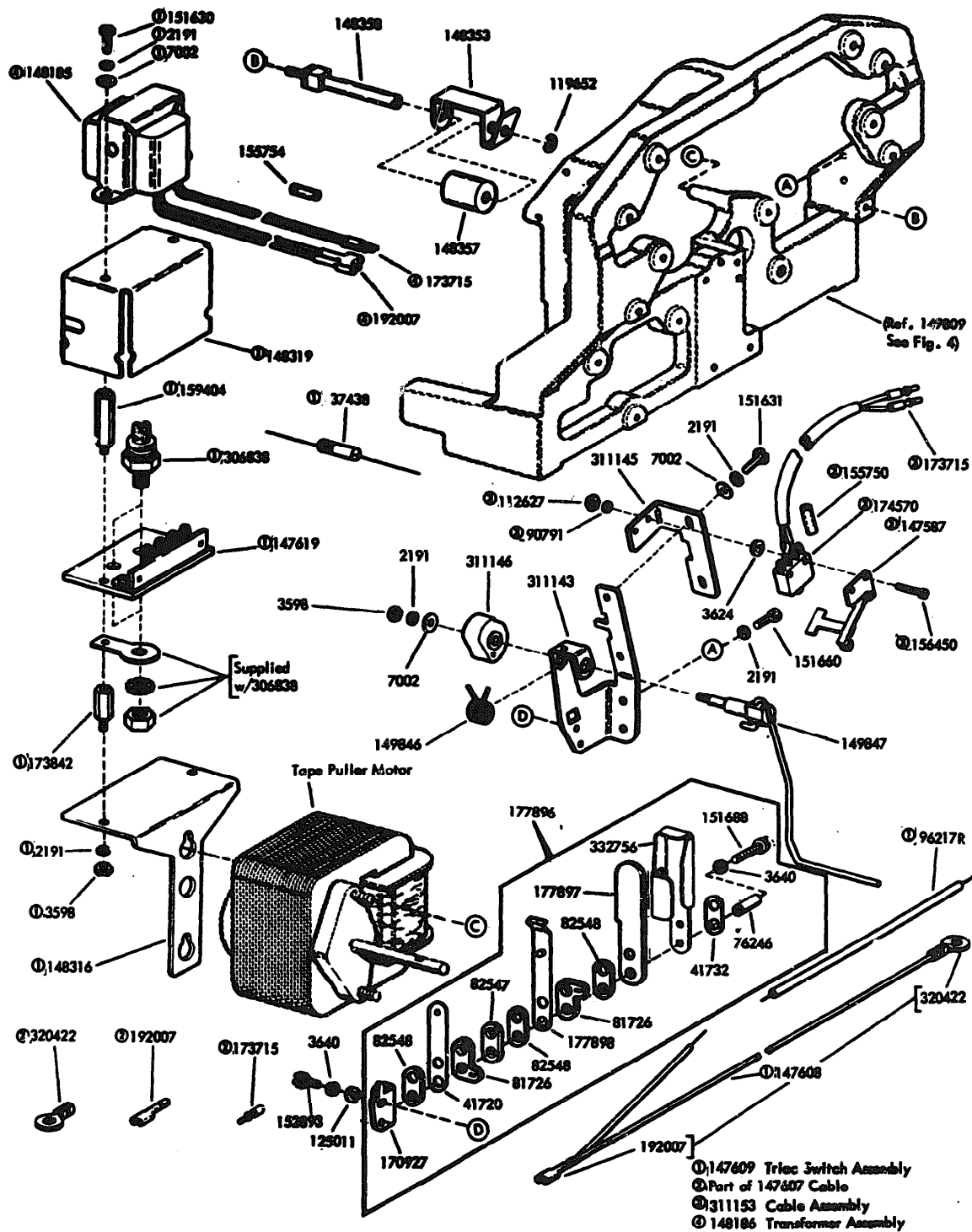


FIGURE 9. ELECTRICAL COMPONENTS

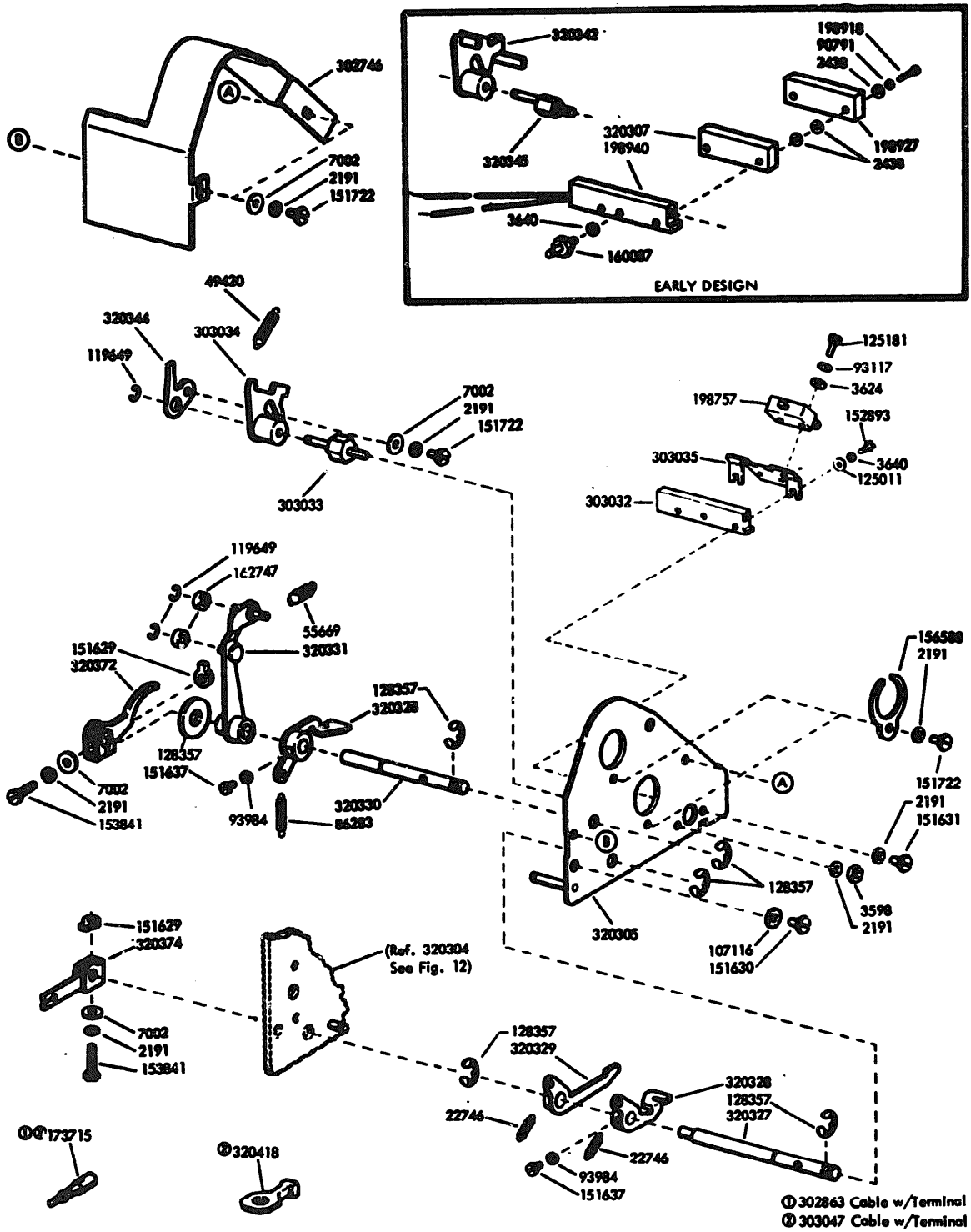


FIGURE 10. 320377 FRONT PLATE ASSEMBLY FOR BACK-UP MECHANISM

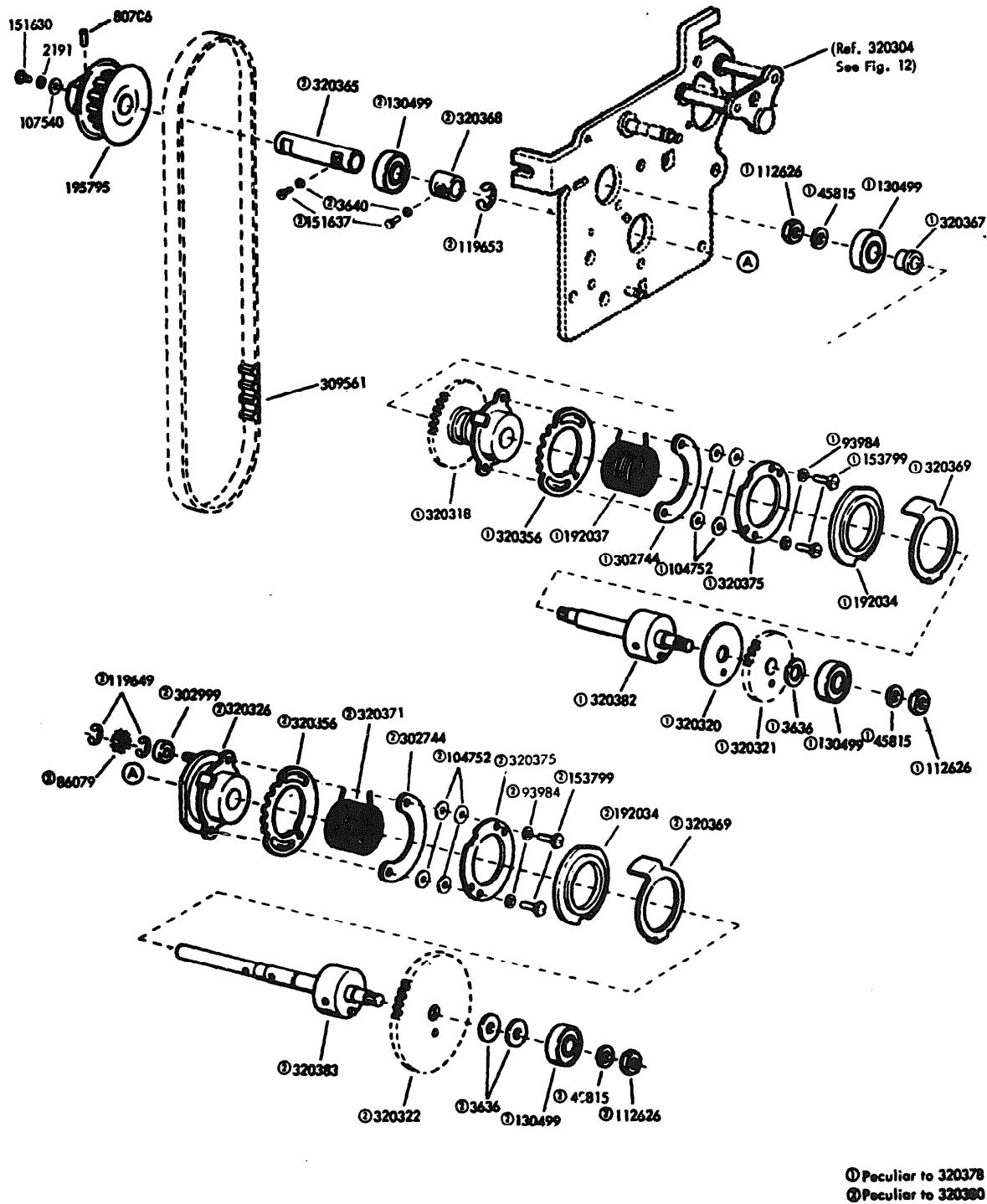


FIGURE 11. 320378 (DRIVE) SHAFT ASSEMBLIES

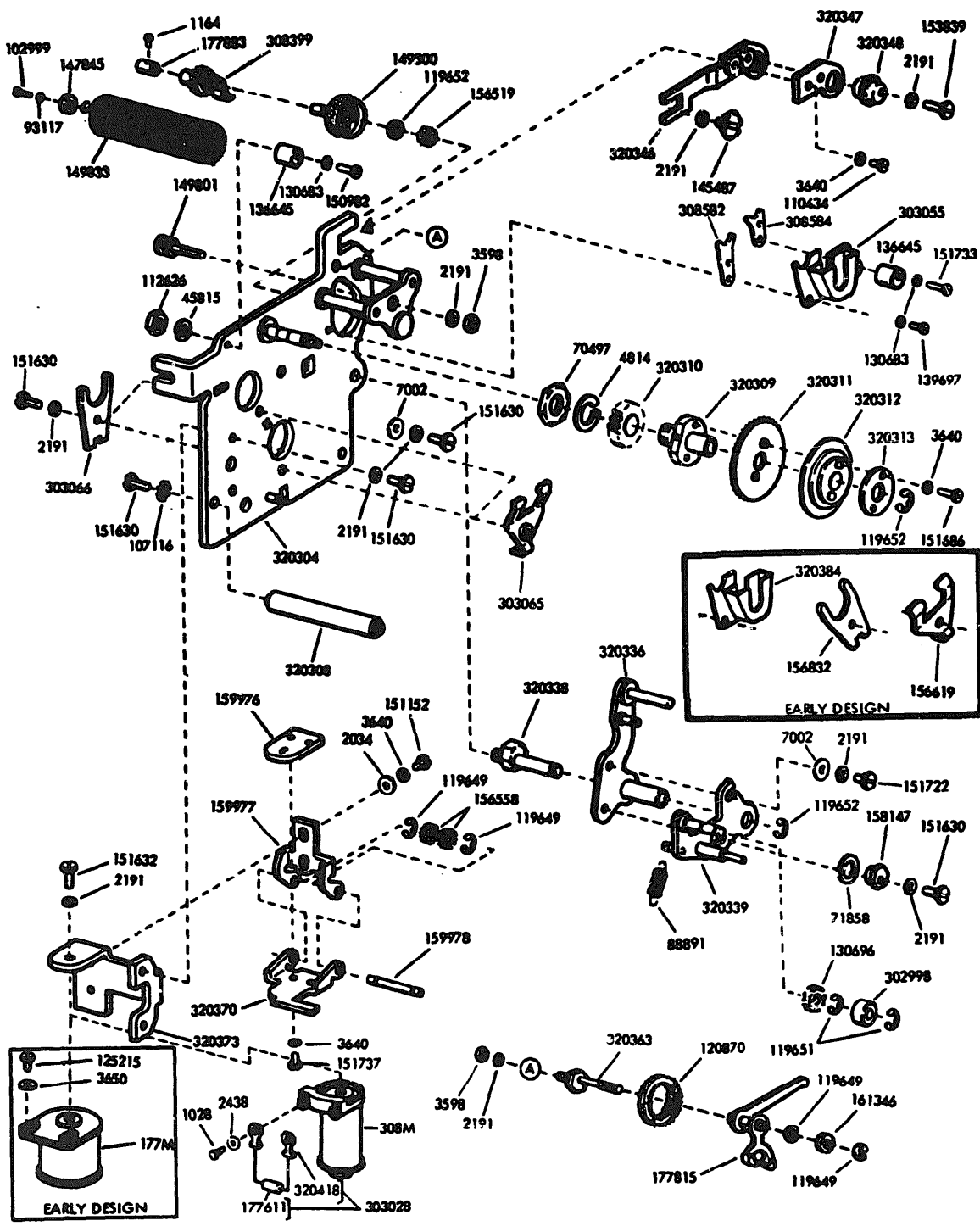


FIGURE 12. 320376 REAR PLATE ASSEMBLY FOR BACK-UP MECHANISM



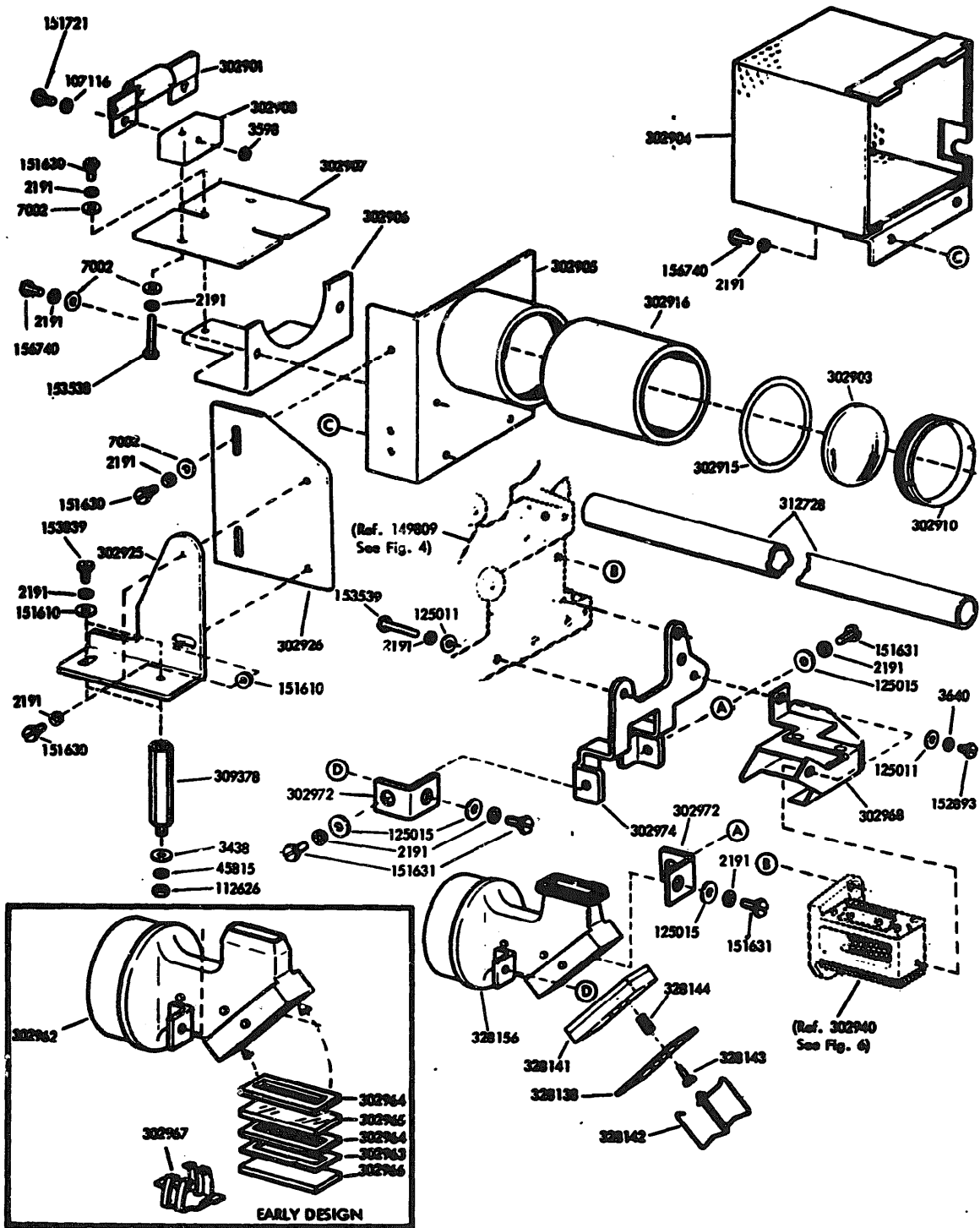


FIGURE 13. LIGHT SOURCE ASSEMBLY

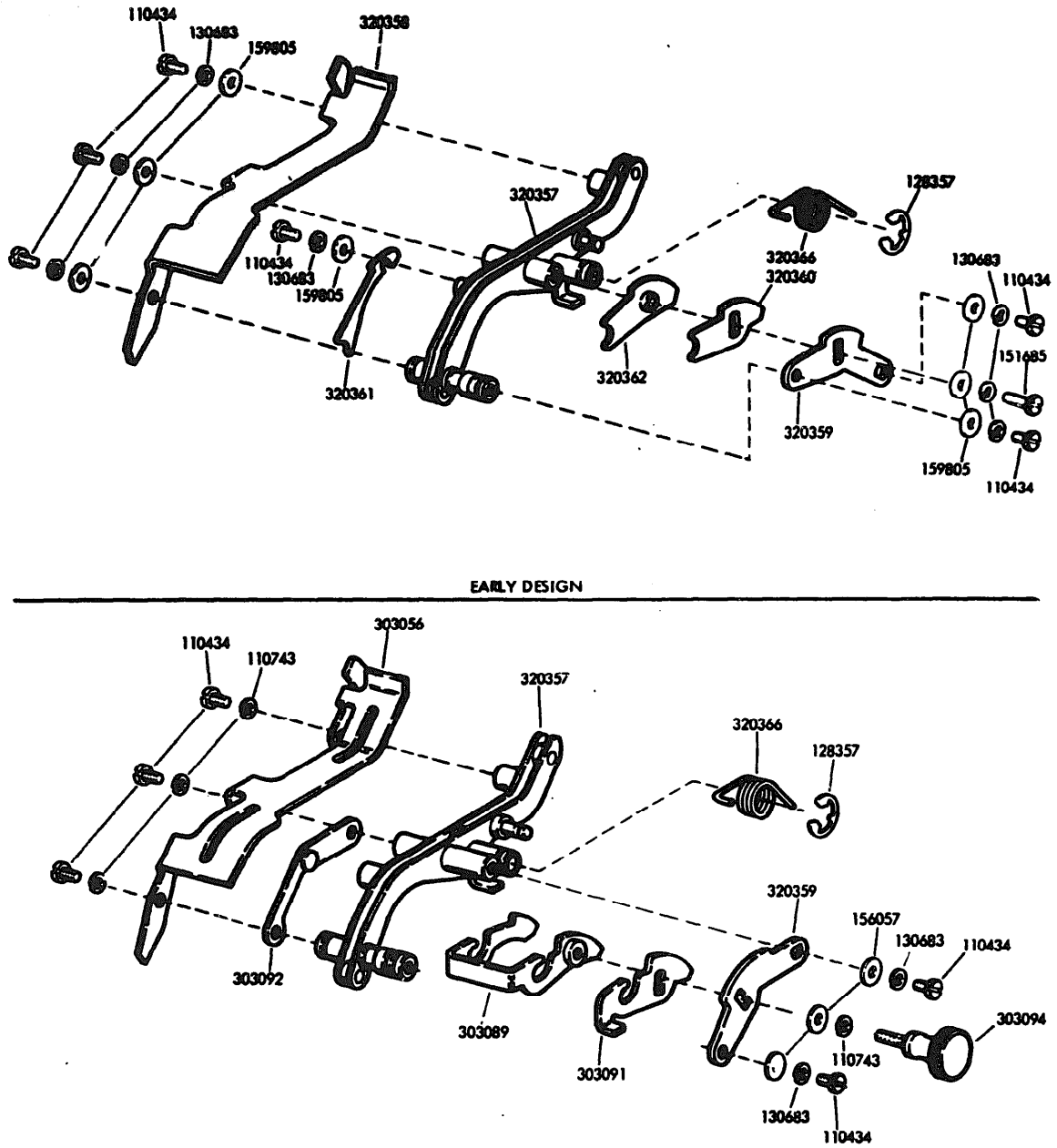


FIGURE 14. 320385 TAPE GUIDE ASSEMBLY FOR BACK-UP MECHANISM

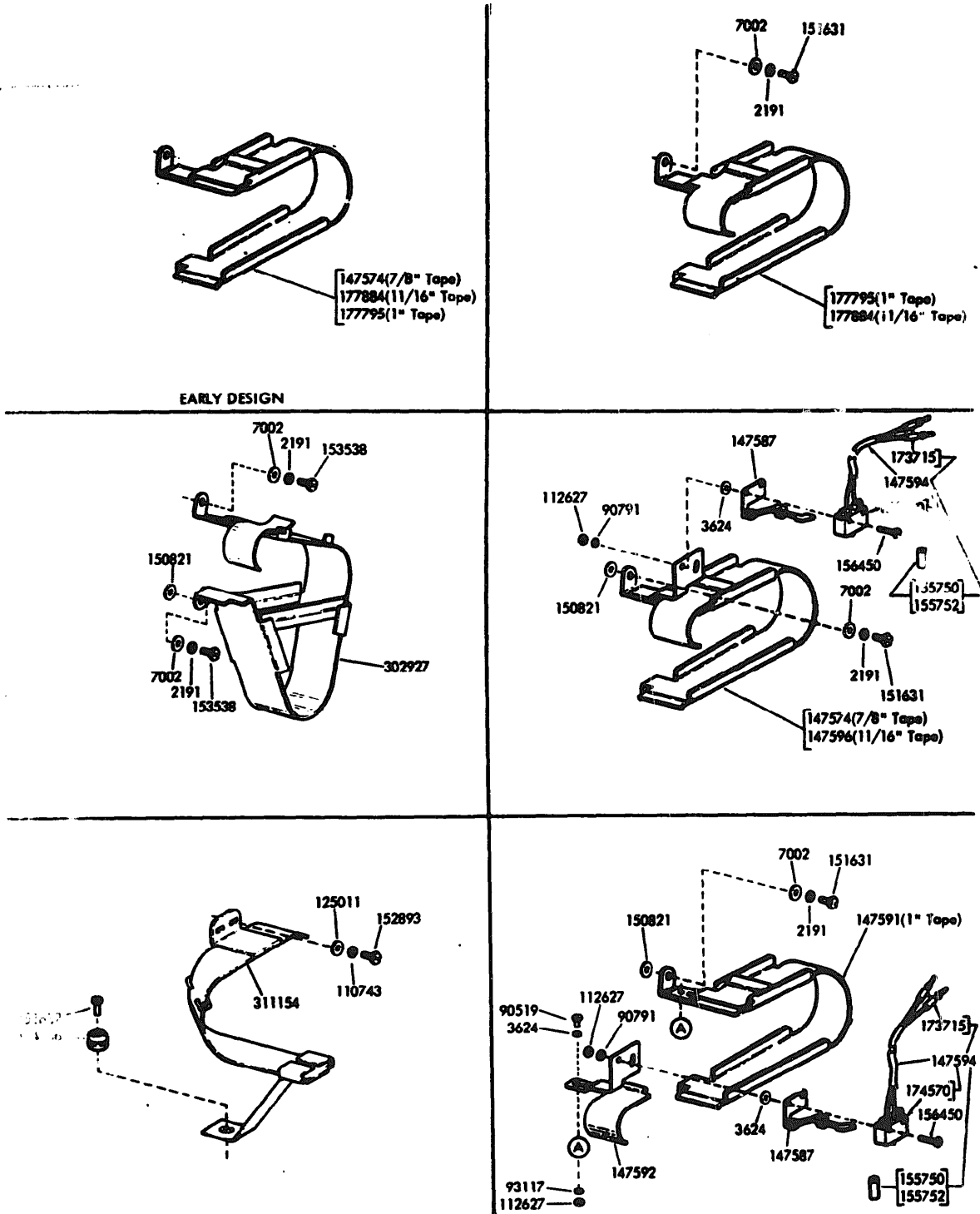


FIGURE 15. TAPE GUIDES

NUMERICAL INDEX

Part Number	Description and Page Number	Part Number	Description and Page Number	Part Number	Description and Page Number
177M	Coil, Magnet 13	96218BL	Jumper, 7" Blue 9	147615	Motor, 115V AC Shaded Pole 2710 RPM 8
273M	Coil, Magnet 2,3	100832	Screw, #0 x 3/16 Drive 5		
308M	Coil, Magnet 13	102999	Screw, 2-56 x 5/32 Fil 4,6,7, 13	147616	Motor, 115V AC Shaded Pole 2710 RPM 8
1028	Screw, 4-40 x 1/4 Fil 13	103323	Washer, Flat 6,7	147618	Plate, Adjusting 8
1030	Screw, 6-40 Shoulder 4,6	104752	Washer, Flat 12	147619	Plate w/Terminal Strip 10
1164	Screw, 2-56 x 3/16 Fil 13	104807	Washer, Flat 6,7	147845	Bushing 4,6,13
1178	Screw, 2-56 x 7/16 Fil 8	107116	Washer, Lock 11,13,14	147877	Terminal, Receptacle Type 5
2034	Washer, Flat 13	107540	Spacer, .077" Thk 12	147879	Retainer w/Plate 6
2191	Washer, Lock 2 to 14,16	108713	Washer, Lock 8	148185	Transformer 10
2669	Washer, Flat 11,13	110434	Screw, 4-40 x 3/16 Fil 13,15	148186	Transformer Assembly 10
2438	Washer, Lock 4,6,7,8	110743	Washer, Lock 6,7,15,16	148316	Bracket 9,10
3438	Washer, Flat 3,5,8,9,13,14	112626	Nut, 10-32 Hex 8,12,13,14	148317	Plate, Mounting 9
3598	Nut, 6-40 Hex 4,6,8,9,10,11, 13,14	112627	Nut, 2-56 Hex 10,16	148319	Cover 9,10
3606	Nut, 6-40 Hex 5	113178	Screw, 4-40 x 1 Fil 8	148320	Rectifier Assembly, Silicone 9
3624	Washer, Flat 10,11,16	119648	Ring, Retaining 6,7	148321	Rectifier 9
3636	Washer, Flat 12	119649	Ring, Retaining 4,6,8,11,12,13	148348	Spring, Torsion 6,7
3639	Washer, Lock 2,3,5	119651	Ring, Retaining 4,6,8,13	148349	Spring, Bias 6,7
3640	Washer, Lock 3 to 6,8 to 14	119652	Ring, Retaining 4,6,7,8,9,10,13	14 148350	Lock Assembly, Punch 6,7
3650	Washer, Flat 13	119653	Ring, Retaining 12	14 148351	Spring, Torsion 6,7
4814	Washer, Lock 13	120870	Gasket, Felt 4,6,13	14 148352	Cover 6,7
5740	Screw, 2-56 x 1/4 Fil 6,7	121250	Washer, 3/4 ID Cable 8	14 148353	Guide, Tape 9,10
7001	Washer, Flat 5	122136	Spacer, .040" Thk 6,7	14 148355	Bracket w/Hub 6,7
7002	Washer, Flat 2 to 6,8 to 11,13, 16	124177	Washer, Lock 6	14 148356	Bracket w/Post 6,7
8330	Washer, Flat 4,6,7	125011	Washer, Flat 3 to 6,8 to 11,14, 16	14 148357	Roller 9,10
22746	Ring 11	12015	Washer, Flat 9,14	14 148358	Roller 9,10
34432	Washer, Flat 2,4,6,7,8	125181	Screw, 2-56 x 3/8 Fil 11	14 148363	Roller, Spring 6,7
41720	Ring, Contact 9,10	125215	Washer, 4-40 x 3/16 Hex 13	14 148757	Lock Assembly, Punch 7
41732	Washer, Clamp 9,10	125218	Nut, 1/4-32 Hex 8	14 148761	Magnet Assembly, "O" 3
42827	Screw, 3-48 x 1/4 Fil 9	128002	Washer, 2-56 x 3/16 Fil 6,7	14 148763	Jumper, Rubber 3,5
45815	Washer, Lock 12,13,14	128357	Ring, Retaining 11,15	14 148764	Washer, Bumper 3,5
49420	Ring 11	130499	Washer, Ball 12	14 148765	Washer 3
55669	Ring 11	130683	Washer, Lock 13,15	14 148766	Core, Right 3
70466	Ring 8	130696	Washer, Felt 13	14 148767	Core, Left 3
70497	Nut, 5/16-32 Hex 13	136645	Washer, Eccentric 13	14 148768	Magnet Assembly, Left 3
71073	Washer, Flat 8	137438	Resistor, 100 Ohm 10	14 148769	Magnet Assembly, Right 3
71858	Washer, Flat 13	137440	Resistor, 1,000 Ohm 9	14 149800	Wheel, Feed 6,13
72508	Screw, 6-40 x 3/4 Hex 5	139697	Washer, 4-40 x 9/32 Fil 13	14 149801	Washer, 6-40 Adjusting 6,13
72509	Washer, Lock 2,3,5	142379	Washer, Roll 3,5	14 149802	Roller, Drive 8
73844	Washer, Flat 6	142921	Roller 9	14 149806	Washer, Rear 5,6
74805	Screw, 10-32 x 3/4 Hex 2,3,5	142924	Roller 9	14 149807	Washer, Adjusting 5
76099	Washer, Flat 6	143097	Ring, Retaining 6	14 149808	Bracket, Connector 5
76246	Washer, Insulating 9,10	145487	Washer, 6-40 Shoulder 13	14 149809	Washer, Frame 5 to 10,14
80706	Screw, 6-40 Set 12	145914	Bracket, Connector, 25 Pt Plug Type 2,3	14 149810	Washer, #0, #3, and #7 6,7
81726	Terminal 9,10	145973	Guide, Tape 9	14 149811	Washer, Feed Pin 6,7
82392	Washer, .004" Thk 6	145975	Washer, Tape Guide 9	14 149812	Washer, #1 and #4 6,7
82547	Washer, .094" Thk 9,10	146542	Washer, Post Assembly 2,3,5	14 149813	Washer, #2 and #5 6,7
82548	Washer, .062" Thk 9,10	147565	Washer, Post 9	14 149814	Washer, #6 6,7
83960	Washer, Flat 9	147570	Lock Assembly, Punch 7	14 149815	Washer, "O" 5
85422	Screw, 10-32 x 15/16 Hex 2,3,5	147574	Washer, Guide, Tape 16	14 149816	Washer, Left 5
86079	Washer, Felt 12	147576	Washer, Guide Assembly 5	14 149818	Washer, Link 5
86283	Ring 11	147582	Washer, Top, Bias Spring 6,7	14 149820	Washer, Feed Wheel 6
88891	Ring 13	147587	Washer, Actuator 10,16	14 149822	Magnet Assembly, Right 5
90519	Screw, 2-56 x 3/16 Hex 16	147591	Washer, Guide, Tape 16	14 149823	Magnet Assembly, Left 5
90573	Ring 8	147592	Washer, Guide, Tape 16	14 149824	Magnet Assembly, "O" 5
90791	Washer, Lock 10,11,16	147594	Washer, Guide Assembly 16	14 149826	Core, Left Magnet 5
91096	Ring 8	147596	Washer, Guide, Tape 16	14 149827	Core, Right Magnet 5
91230	Terminal 8	147605	Washer, Bracket, Connector 3,5	14 149828	Washer, Post, Pawl 8
91577	Ring 8	147606	Washer, Guide Assembly 3,5	14 149833	Washer, Spring, Drive 6,13
92260	Washer, Lock 8	147607	Washer, Guide w/Terminals 10	14 149834	Washer, Pawl, Brake 8
93117	Washer, Lock 4,6,11,13,16	147608	Washer, Jumper, 7" Blue 10	14 149837	Washer, Link 5
93118	Washer, Lock 6,7,8	147609	Washer, Switch Assembly, Triac 10	14 149838	Washer, Link 5
93984	Washer, Lock 11,12	147611	Washer, Cover w/Hub 8	14 149839	Washer, Link 6
94712	Washer, Flat 6	147612	Washer, Ion, 20T 8	14 149841	Washer, Stud, Roller 6
96216R	Washer, 6" Red 9	147613	Washer, Ion, 60T 8	14 149844	Washer, Guide, Tape 6
96217R	Washer, 6-1/2" Red 10	147614	Washer, Ion, 20T 8	14 149846	Washer, Lead, Right 5
				14 149847	Washer, Spring, Torsion 9,10
					Washer, Arm, Tape Sensing 9,10

## NUMERICAL INDEX (Continued)

Part Number	Description and Page Number	Part Number	Description and Page Number	Part Number	Description and Page Number
149871	Screw, 2-56 Shoulder 6,7	159610	Mount, Vibration 4	177878	Bushing, Eccentric 4,6
149970	Bracket, Tape Guide 9	159805	Washer, Flat 15	177883	Nut, Spring Anchor 4,6,13
150456	Spacer, .050" Thk 3	159976	Armature 13	177884	Guide, 11/16" Tape 16
150821	Spacer, .156" Thk 16	159977	Hinge 13	177886	Bail w/ Stud 8
150982	Screw, 4-40 x 7/16 Fil 13	159978	Shaft 13	177892	Cam 9
151152	Screw, 4-40 x 3/16 Hex 4,6,7,8,13	160087	Post, Spring 11	177894	Nut, 10-32 Spl 8
151329	Switch, Sensitive 8	161346	Washer, Felt 4,6,13	177896	Contact Assembly 9,10
151610	Washer, Flat 6,14	162747	Roller 11	177897	Guard, Contact 9,10
151629	Nut, 6-40 Lug 11	164119	Plate, Identification 5	177898	Spring, Contact 9,10
15630	Screw, 6-40 x 1/4 Hex 2 to 6,8 to 14	170927	Bracket, Contact 9,10	177899	Arm, Tape Sensing 9
151631	Screw, 6-40 x 5/16 Hex 4,5,6,9,10,11,14,16	173579	Connector, 50 Pt Plug Type 5	177901	Shaft 8
151632	Screw, 6-40 x 3/8 Hex 4,6,7,13,16	173715	Terminal, Plug Type 2,3,5,10,11,16	177902	Bracket, Contact 9
151637	Screw, 4-40 x 1/4 Fil 11,12	173842	Stud 9,10	177904	Bushing 8
151660	Screw, 6-40 x 7/8 Fil 10	174570	Switch 10,16	177905	Spring, Torsion 9
151661	Screw, 6-40 x 1 Fil 8	175666	Jumper, 6" Black 9	177906	Chute, Chad 4,6
151685	Screw, 4-40 x 5/16 Fil 8,15	177609	Rectifier 9	177908	Cable Assembly 2,3
151686	Screw, 4-40 x 3/8 Fil 8,13	177611	Rectifier 13	177911	Spring, Torsion 4,6
151688	Screw, 4-40 x 5/8 Fil 9,10	177795	Guide, 1" Tape 16	179782	Screw, 6-40 x 7/8 Hex 9
151692	Screw, 6-40 x 3/16 Fil 9	177798	Reed, #0 3	182726	Terminal, Receptacle Type 2,3
151721	Screw, 6-40 x 3/4 Hex 2,3,14	177799	Bracket, Connector 2,3	190494	Plate, Right Base 4
151722	Screw, 6-40 x 3/16 Hex 11,13	177800	Frame 2,3,4,8,9	190500	Plate, Left Base 4
151723	Screw, 10-32 x 3/8 Hex 4	177801	Reed 2	192007	Terminal, Tab Type 2,3,8,9,10
151733	Screw, 4-40 x 9/16 Fil 13	177802	Bracket, Right 2,3,5	192034	Bearing, Clutch 12
151736	Spring 6,7	177803	Bracket, Left 2,3,5	192037	Spring, Right Clutch 12
151737	Screw, 4-40 x 11/64 Hex 13	177804	Magnet Assembly, Right 2	195187	Screw, 4-40 x 1-1/2 Hex 6
152893	Screw, 4-40 x 1/4 Hex 6,8 to 11,14,16	177805	Magnet Assembly, Left 2	195795	Pulley, 16T 12
153342	Screw, 6-40 x 15/16 Hex 4,6	177807	Post, Lower Guide 4,6,7	198757	Switch 11
153442	Screw, 10-32 x 1/2 Hex 4,6,7,8	177808	Post, Upper Guide 4,6,7	198918	Screw, 2-56 x 5/8 Fil 11
153538	Screw, 6-40 x 7/16 Hex 14,16	177809	Bracket, Guide 4,6,7	198927	Magnet 11
153539	Screw, 6-40 x 11/16 Hex 2,3,14	177810	Link, #0, #3 and #7 4	198940	Switch, Reed 11
153799	Screw, 4-40 x 21/64 Hex 12	177811	Link, Feed Pin 4	300036	Network, Arc Suppression 8
153817	Screw, 4-40 x 3/8 Hex 3,5	177812	Link, #1 and #4 4	300728	Post 6
153819	Washer, Lock 9	177813	Link, #2 and #5 4	302744	Plate, Retaining 12
153839	Screw, 6-40 x 5/8 Hex 13,14	177814	Link, #6 4	302746	Guard, Gear 11
153841	Screw, 6-40 x 9/16 Hex 9,11	177815	Pawl, Escapement 4,6,13	302863	Cable w Terminal 11
154156	Grommet, Rubber 16	177818	Plate, Clamp 2,3,5	302901	Lamp 14
154335	Screw, 6-40 x 9/32 Fil 6	177819	Bushing, Eccentric 2,3,5	302903	Lens 14
155750	Sleeve, 3/32 ID x 1/2" Lg	177821	Core, Right 2	302904	Cover 14
155752	Insulating 10,16	177822	Core, Left 2	302905	Bracket, Lens Holder 14
155752	Sleeve, 5/64 ID x 1/2" Lg	177832	Block Assembly, Punch 7	302906	Bracket 14
155753	Insulating 2,3,5,16	177836	Bracket w/Post 8	302907	Plate, Lamp Mounting 14
155753	Sleeve, 1/8 ID x 1/2" Lg	177837	Lever w/Hub 8	302908	Block, Mounting 14
155754	Insulating 8	177839	Post 8	302910	Ring, Lock 14
155754	Sleeve, 1/16 ID x 1/2" Lg	177840	Pinion, 18T 8	302915	Ring, "O" 14
155755	Insulating 10	177842	Pinion, 18T 8	302916	Isolator 14
155755	Sleeve, 11/64 ID x 5/8" Lg	177843	Screw, 1/4-32 Adjusting 8	302925	Bracket 14
156057	Washer, Flat 6,15	177844	Post, Spring 8	302926	Plate 14
156450	Screw, 2-56 x 1/2 Fil 10,16	177845	Shaft, Drive 8	302927	Guide, Tape 16
156519	Washer, Felt 4,6,8,13	177847	Spring, Drive 4	302940	Block Assembly w Verifier, Punch 7,14
156536	Screw, 4-40 x 1/8 Fil 6	177850	Plate, Adjusting 8	302962	Tube w/Mirror 14
156558	Washer, Felt 13	177851	Post 8	302963	Plate, Bridge 14
156572	Washer, Felt 8	177852	Gear, 66T 8	302964	Gasket 14
156588	Ring, Retaining 11	177853	Switch, Micro 8	302965	Mirror 14
156619	Clamp 13	177854	Plate, Mounting 4	302966	Cover, Mirror 14
156740	Screw, 6-40 x 7/32 Hex 14	177856	Post, Eccentric 4,6	302967	Clip, Retaining 14
156832	Plate 13	177857	Plate 4,6	302968	Chute w Bracket, Chad 14
158147	Bushing, Eccentric 13	177859	Plate, Rear Mounting 4	302972	Bracket 14
158588	Post 6	177861	Wheel, Feed 4	302974	Bracket, Adapter 14
158859	Post, Spring 8	177863	Screw, 6-40 Adjusting 4	302975	Bracket w Post 6,7
159404	Post 9,10	177864	Sleeve 8	302985	Bracket, Tape Guide 9
		177865	Guide, Tape 4,6	302986	Guide, Tape 9
		177869	Motor, 115V AC 8	302987	Post 9
		177870	Motor, 115V AC 8	302988	Roller, Tape Guide 9
		177872	Roller 8	302994	Block Assembly, Punch 7
		177874	Bushing, Eccentric 2,3,5	302998	Follower, Cam 13
		177875	Clip, Spring 2,3	302999	Follower, Cam 12

NUMERICAL INDEX (Continued)

Part Number	Description and Page Number	Part Number	Description and Page Number	Part Number	Description and Page Number
303014	Block Assembly, Punch 7	320305	Plate w/Posts, Front 11	320363	Post, Eccentric 13
303028	Rectifier w/Terminals 13	320307	Bar, Tie 11	320365	Sleeve 12
303032	Bar, Tie 11	320308	Post, Spacer 13	320366	Spring, Torsion 15
303033	Post 11	320309	Hub 13	320367	Bushing 12
303034	Lever w/Hub, Switch 11	320310	Gear, 24T 13	320368	Sleeve 12
303035	Bracket 11	320311	Wheel, Feed 13	320369	Lever, Clutch Release 12
303047	Cable w/Terminal 11	320312	Disk, Detent 13	320370	Bail, Armature 13
303055	Retainer, Grease 13	320313	Washer, Detent Disk 13	320371	Spring, Left Clutch 12
303056	Guide, Upper 15	320318	Drum w/Gear, 48T 13	320372	Lever, Clutch Release 11
303065	Clamp, Bearing 13	320320	Disk 12	320373	Bracket, Magnet 13
303066	Plate, Bearing 13	320321	Gear, 34T 12	320374	Lever, Magnet 11
303089	Bail w/Stud 15	320322	Gear, 58T 12	320375	Disk, Cam 12
303091	Guide 15	320326	Cam, Tape Guide 12	320376	Plate Assembly, Rear 1,13
303092	Guide w/Button 15	320327	Shaft, Clutch Trip 11	320377	Plate Assembly, Front 1,11
303094	Screw, 4-40 Thumb 15	320328	Lever w/Hub, Stop 11	320378	Shaft Assembly, Intermediate 1,12
306733	Plate, Identification 5	320329	Lever w/Hub, Latch 11	320380	Shaft Assembly, Drive 12
306838	Retainer 10	320330	Shaft, Clutch Trip 11	320382	Shaft w/Gear 12
308392	Block Assembly, Punch 7	320331	Lever w/Hub 11	320383	Shaft w/Gear 12
308397	Bracket w/Stud 6	320336	Arm w/Hub 13	320384	Retainer w/Plate 13
308399	Ratchet w/Spring 4,6,13	320338	Post, Eccentric 13	320385	Guide Assembly, Tape 1,7,15
308582	Spacer 13	320339	Arm w/Post, Cam Follower 13	320410	Terminal, Spade Type 2
308584	Spacer 13	320342	Lever w/Hub, Switch 11	320418	Terminal, Ring Type 5,11,13
309378	Post 14	320344	Plate, Switch Actuating 11	320422	Terminal, Ring Type 10
309561	Belt, 80T 12	320345	Post, Eccentric 11	328138	Plate, Cover 14
311143	Bracket, Contact 10	320346	Lever, Adjusting 13	328141	Plate w/Mirror 14
311145	Bracket, Switch 10	320347	Plate, Clamping 13	328142	Clip, Spring 14
311146	Cam 10	320348	Bushing, Eccentric 13	328143	Screw, 2-56 x 3/8 Spl 14
311153	Cable Assembly 10	320356	Plate, Spring Anchor 12	328144	Spring, Compression 14
311154	Chute, Tape 16	320357	Guide, Lower 15	328156	Tube w/Mirror 14
312728	Tube, Chsd 14	320358	Guide, Upper 15	332719	Plate, Identification 5
315502	Bushing 6	320359	Guide, Edge 15	332754	Plate, Guide 6,7
315503	Plate 6	320360	Guide, Edge 15	332755	Bracket, Guide 6,7
317319	Block Assembly, Punch 7	320361	Guide, Edge 15	332756	Cover, Contact 9,10
320304	Plate, Rear 11,12,13	320362	Guide 15		

MASTER AND SUPPLEMENTARY HIGH SPEED TAPE SENDER CABINETS (AC)  
for  
MULTIPLE ADDRESS PROCESSING SYSTEM (MAPS)  
PARTS

FIGURE	CONTENTS	PAGE	FIGURE	CONTENTS	PAGE
1	Basic Cabinet	2	13	310901BR Sequencing Module "B"	14
2	Control Panels	3	14	310904BR Reader Control Module "E"	15
3	Number Display	4	15	Circuit Card Positioning Charts	16
4	Front Panel	5	16	Circuit Card Positioning Charts	17
5	Frame	6	17	Circuit Card Outline Chart	18
6	Upper Crossbar Mechanism	7	18	Circuit Card Outline Chart (Continued)	19
7	Lower Crossbar and Clutch Drive Mechanisms	8	19	Circuit Card Outline Chart (Continued)	20
8	Clutch Release Arm and Lever Mechanisms	9	20	Circuit Card Outline Chart (Continued)	21
9	Electrical Service Panel (Master Cabinet)	10	21	Circuit Card Outline Chart (Continued)	22
10	Electrical Service Panel (Supplementary Cabinet)	11	22	Circuit Card Outline Chart (Continued)	23
11	Reader Driver	12	23	Numerical Index	24
12	310900BR Power Supply Module "A"	13			

NOTE: Painted part color,  
BR-Navy Light Gray

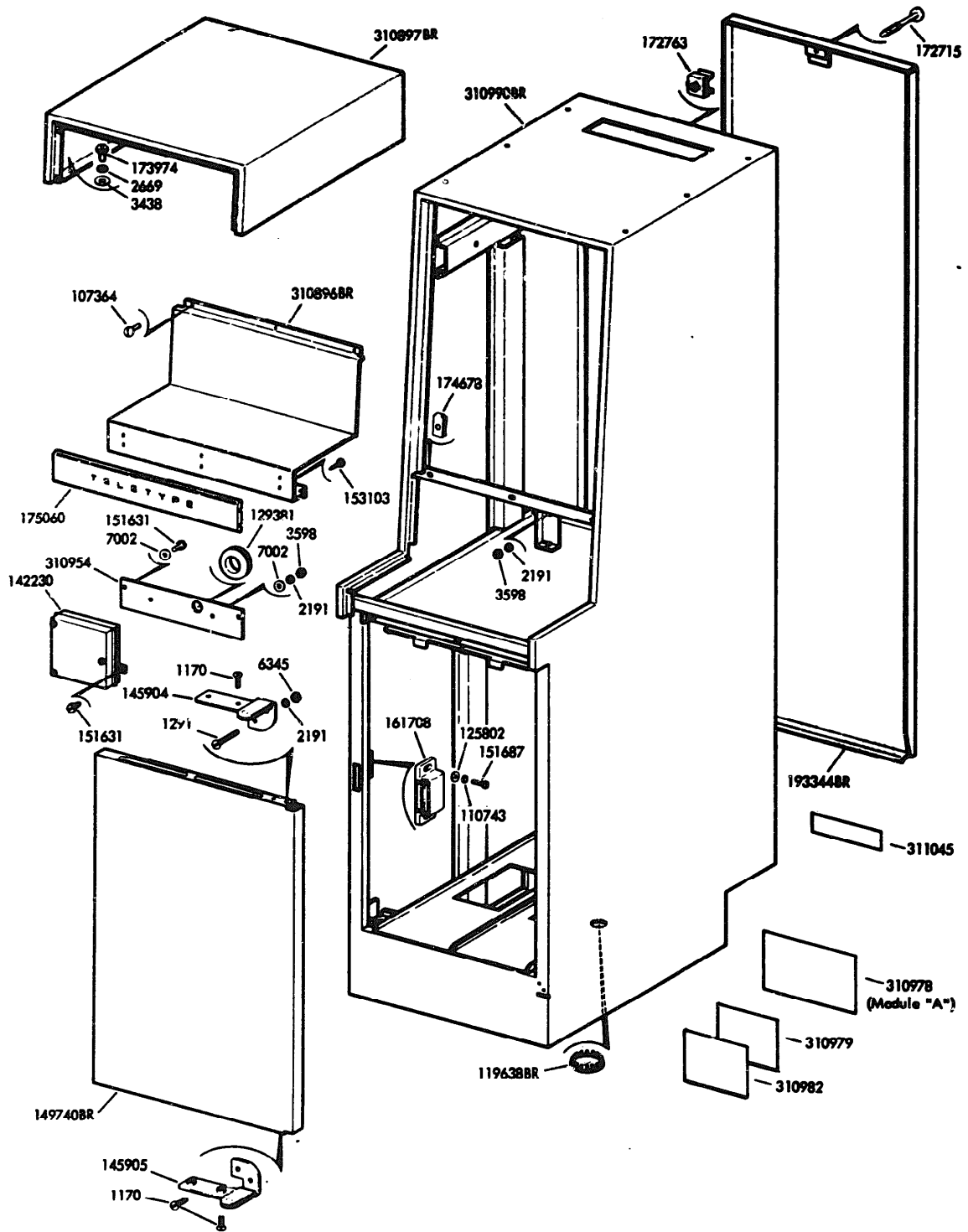


FIGURE 1. BASIC CABINET



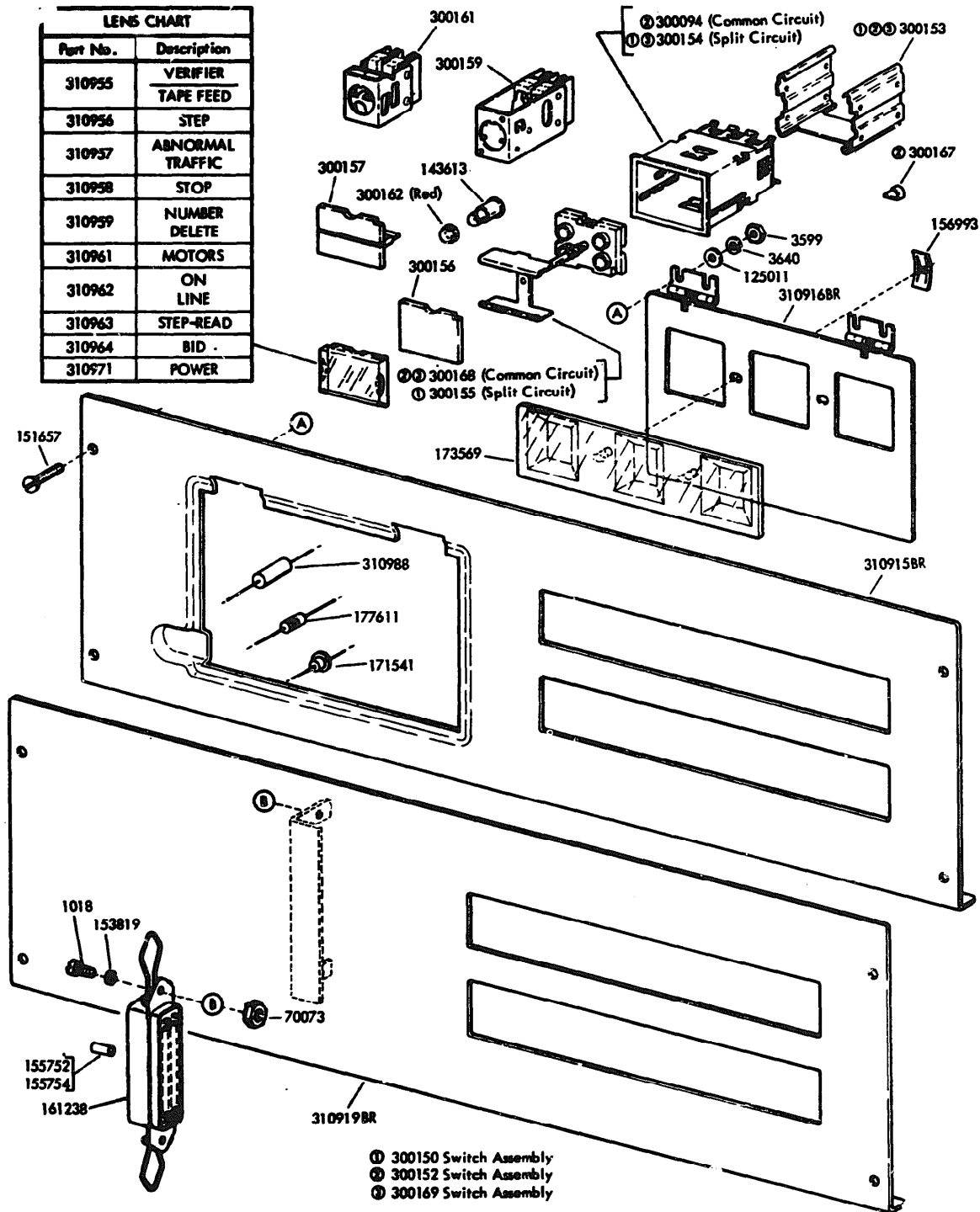


FIGURE 2. CONTROL PANELS

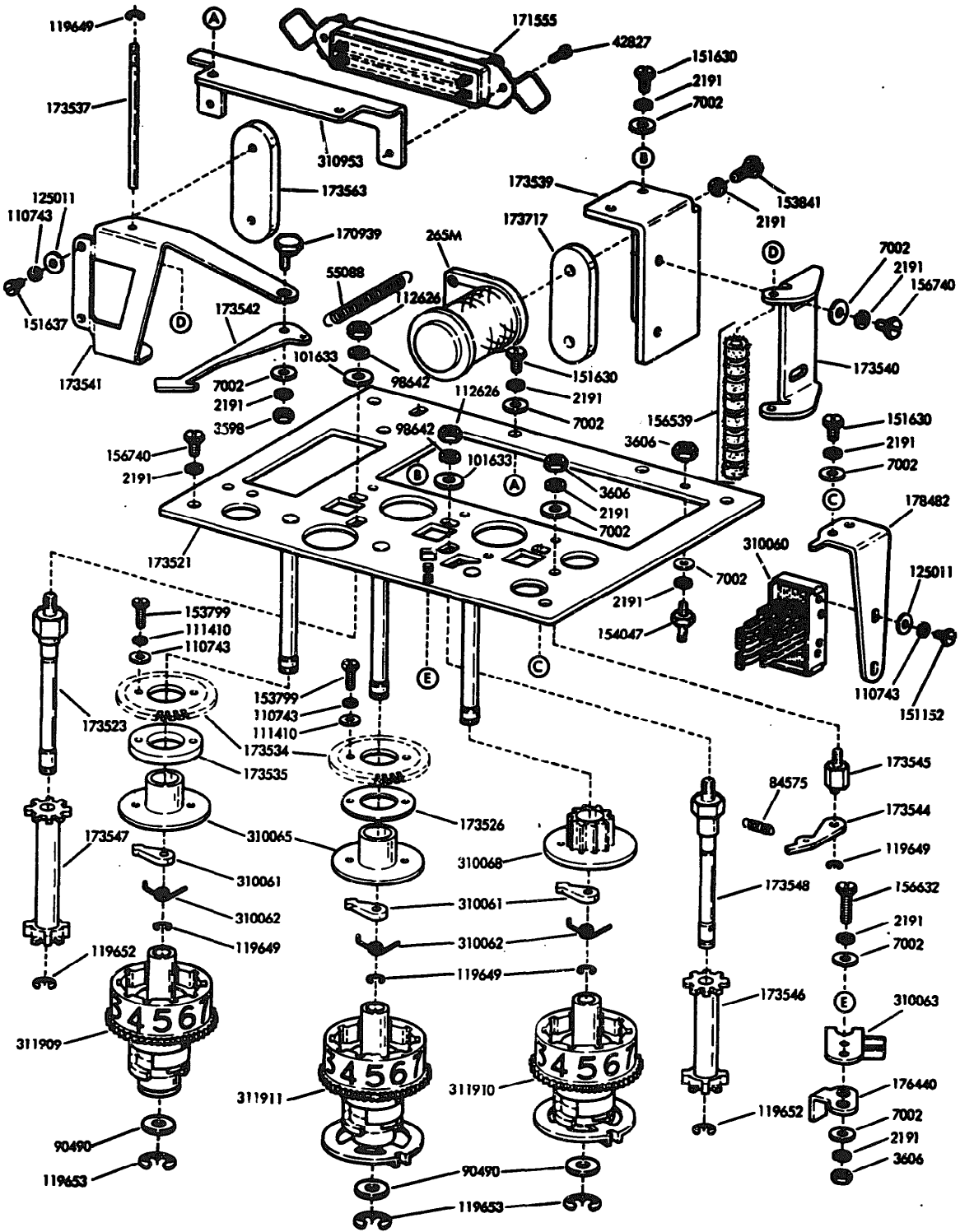


FIGURE 3. NUMBER DISPLAY

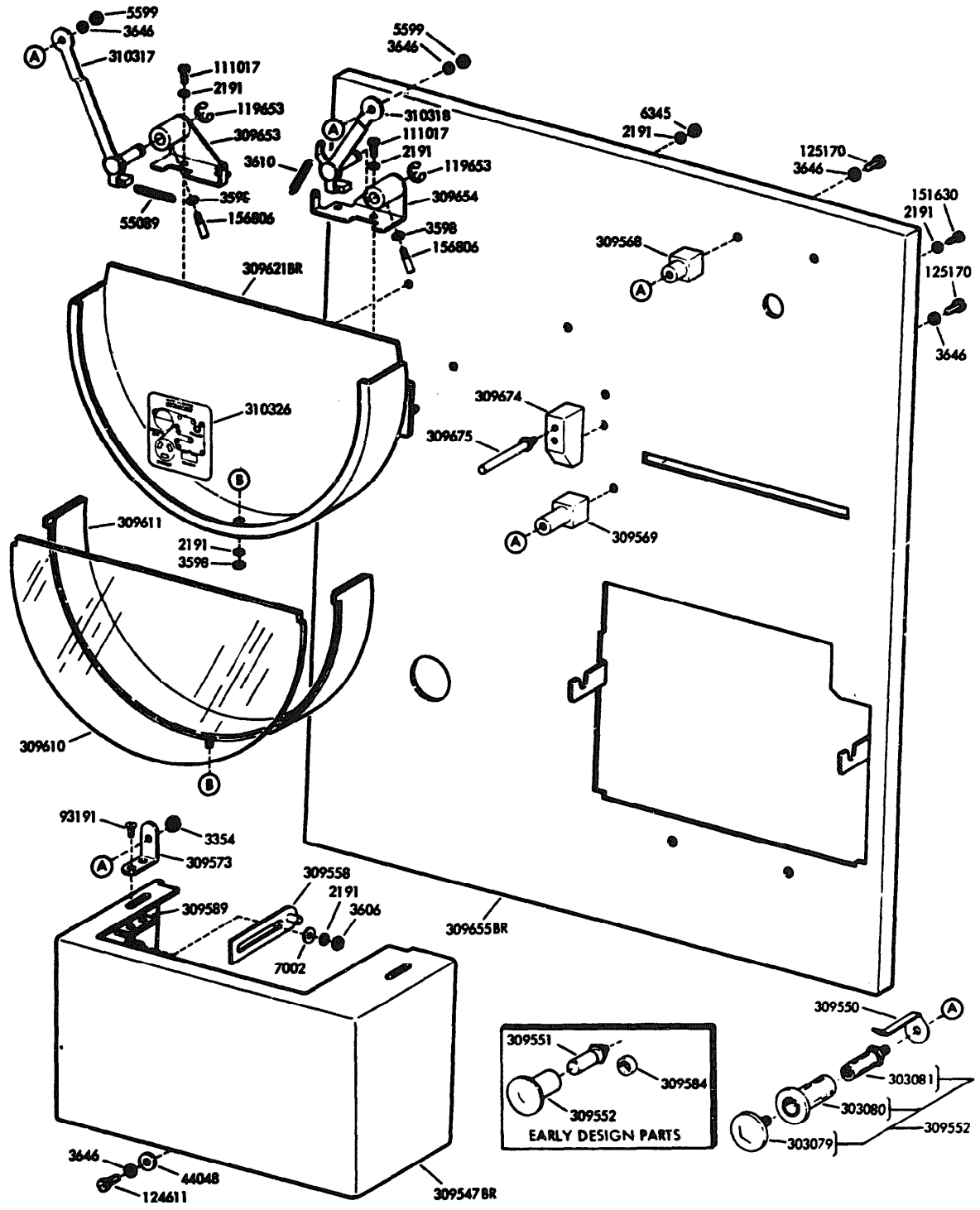


FIGURE 4. FRONT PANEL



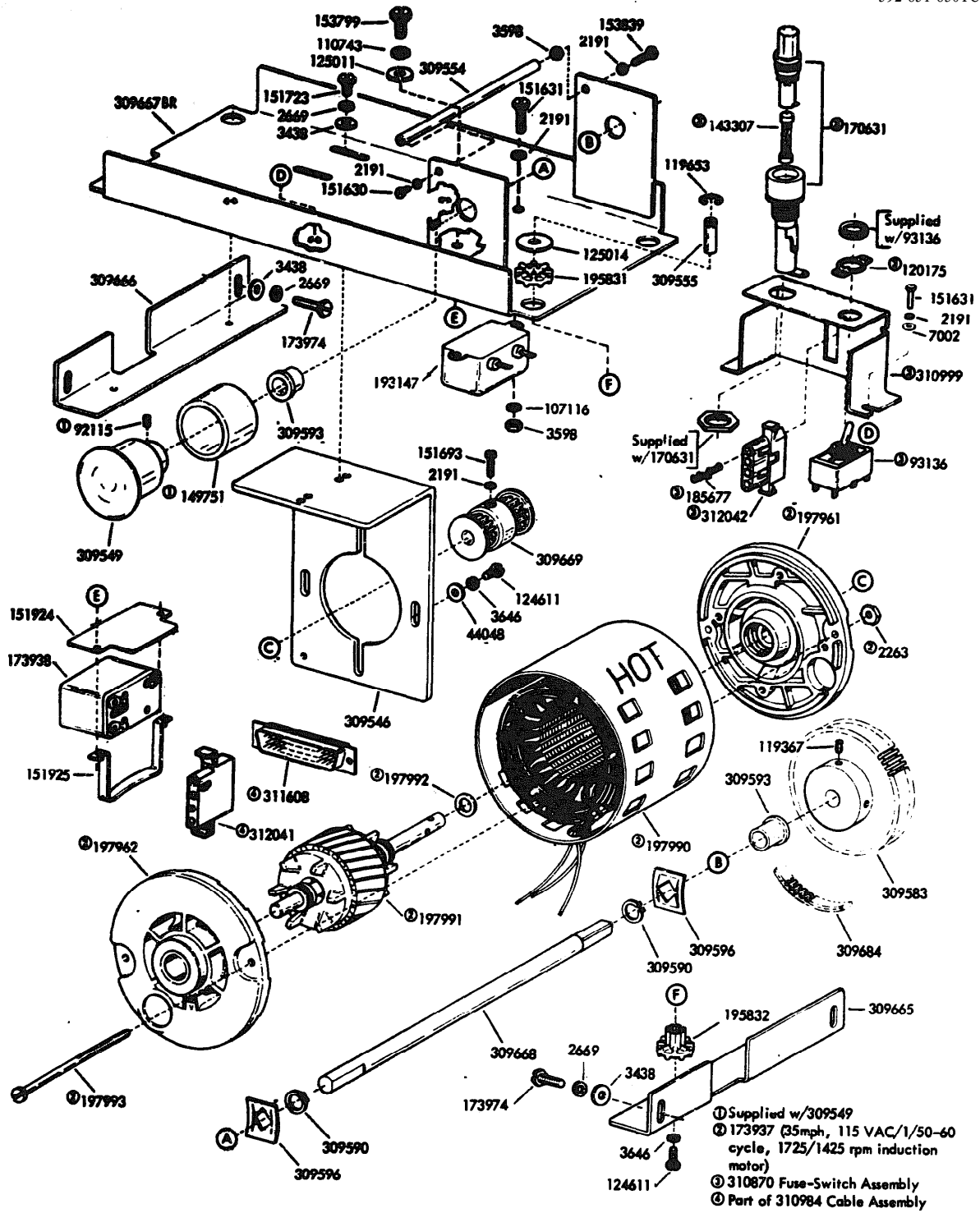


FIGURE 6. UPPER CROSSBAR MECHANISM

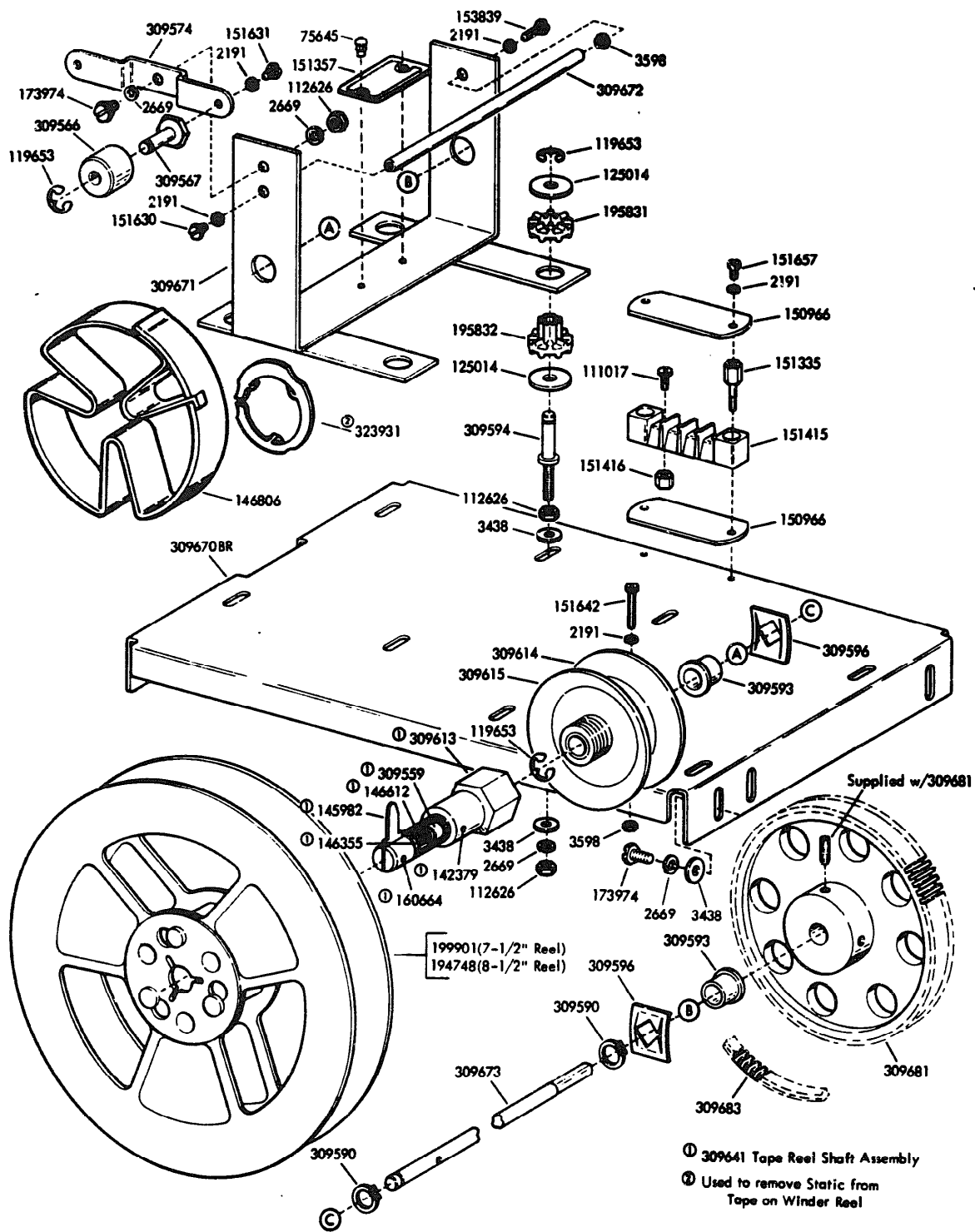


FIGURE 7. LOWER CROSSBAR AND CLUTCH DRIVE MECHANISMS

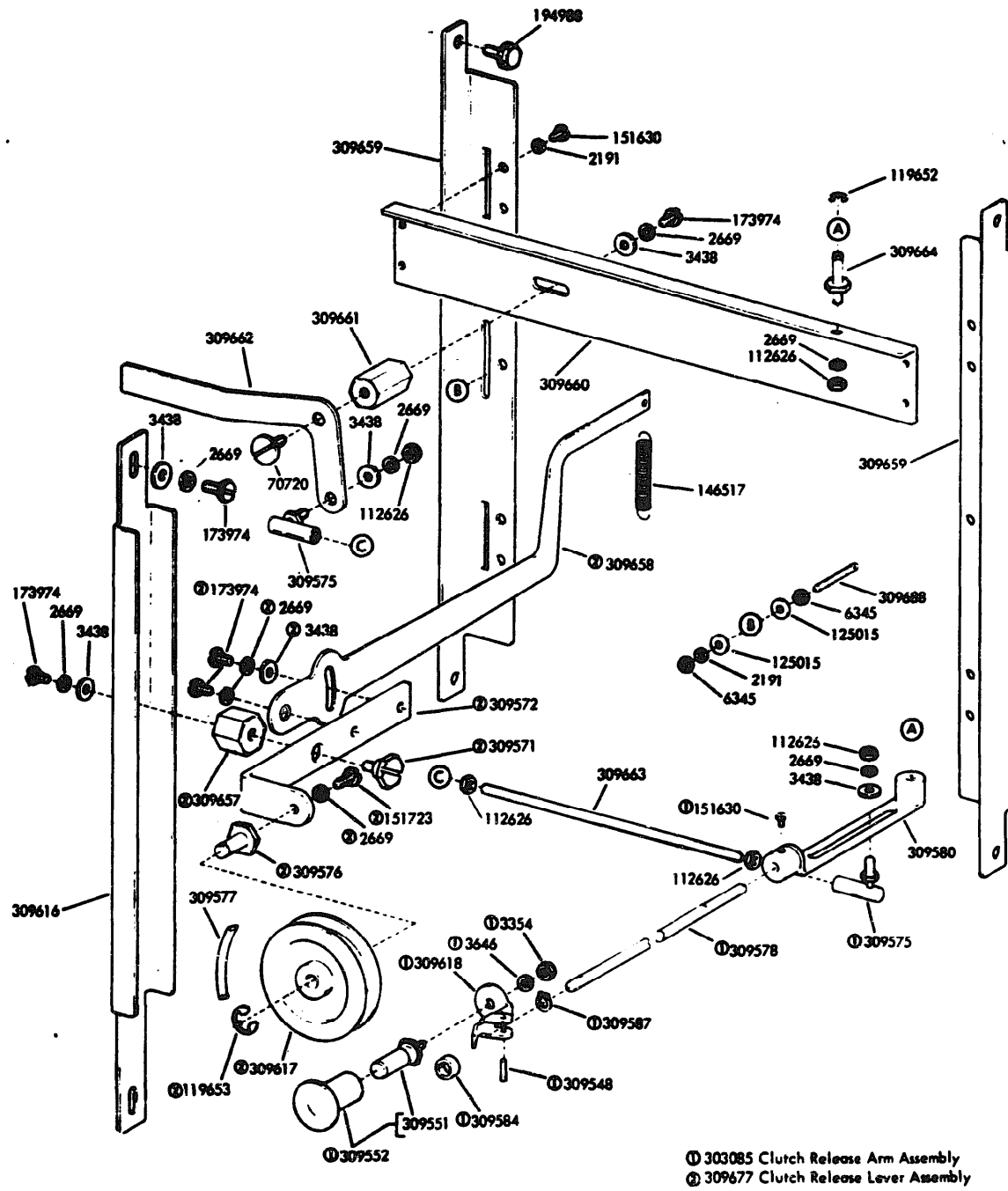


FIGURE 8. CLUTCH RELEASE ARM AND LEVER MECHANISMS

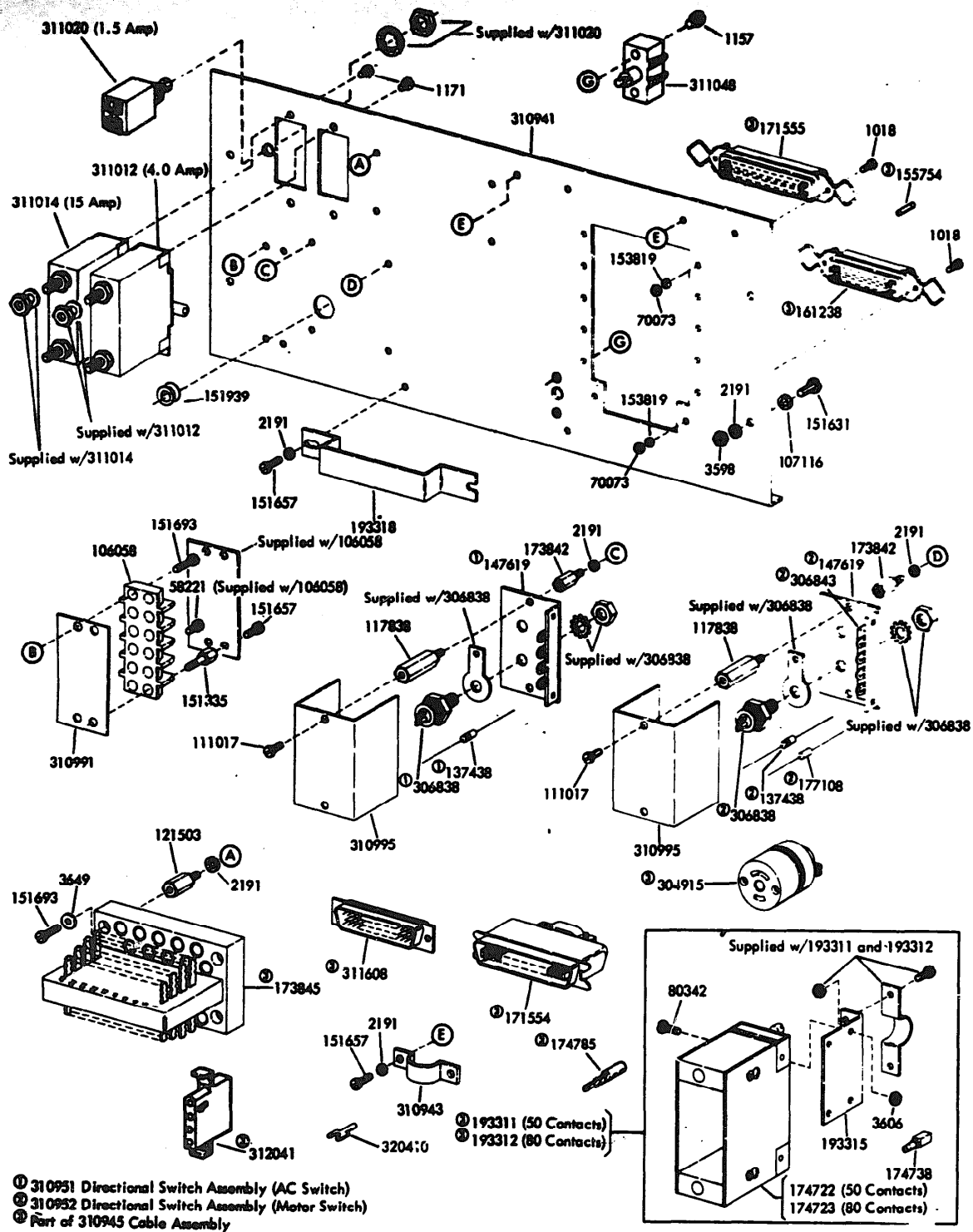


FIGURE 9. ELECTRICAL SERVICE PANEL (MASTER CABINET)



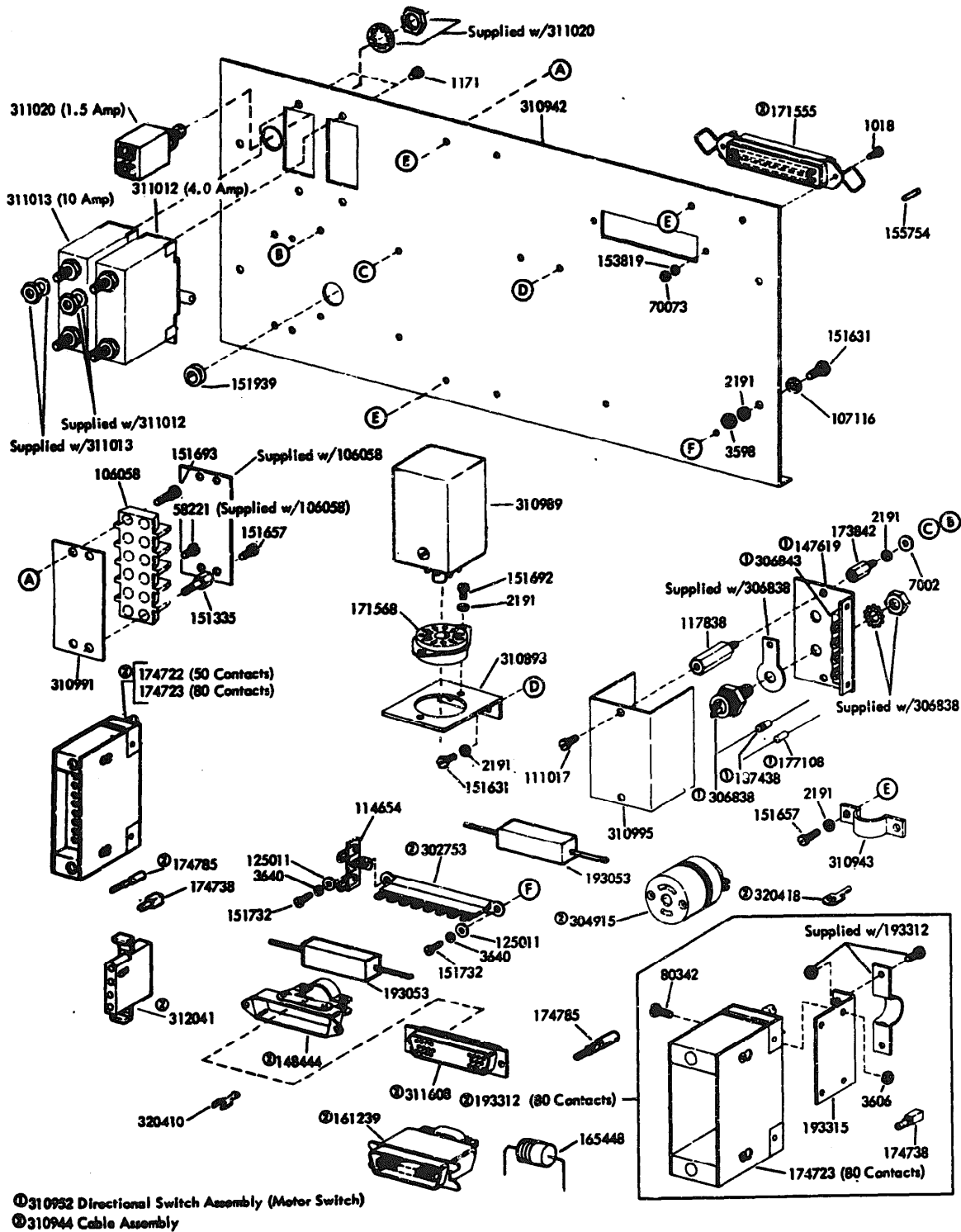


FIGURE 10. ELECTRICAL SERVICE PANEL (SUPPLEMENTARY CABINET)

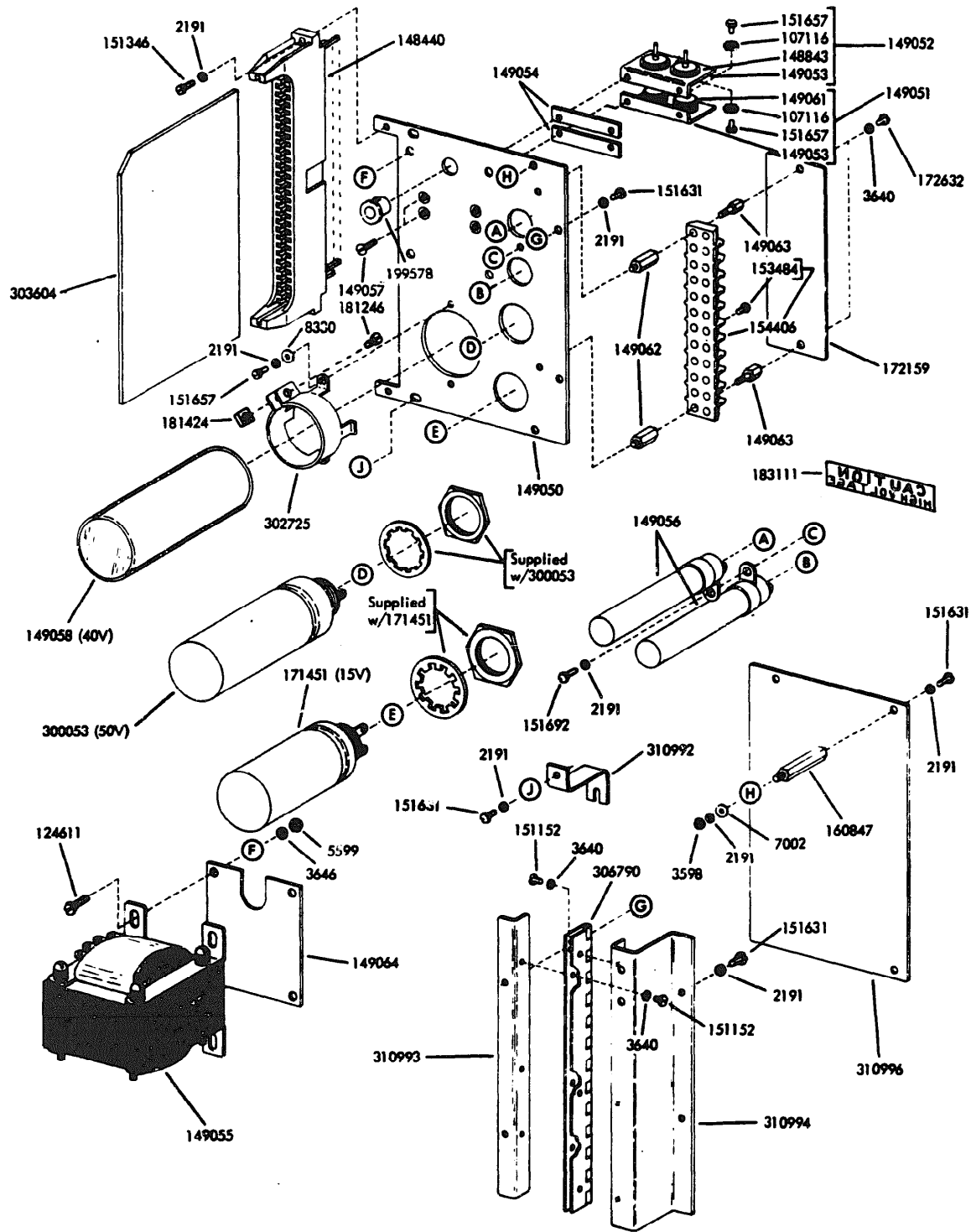


FIGURE 11. READER DRIVER

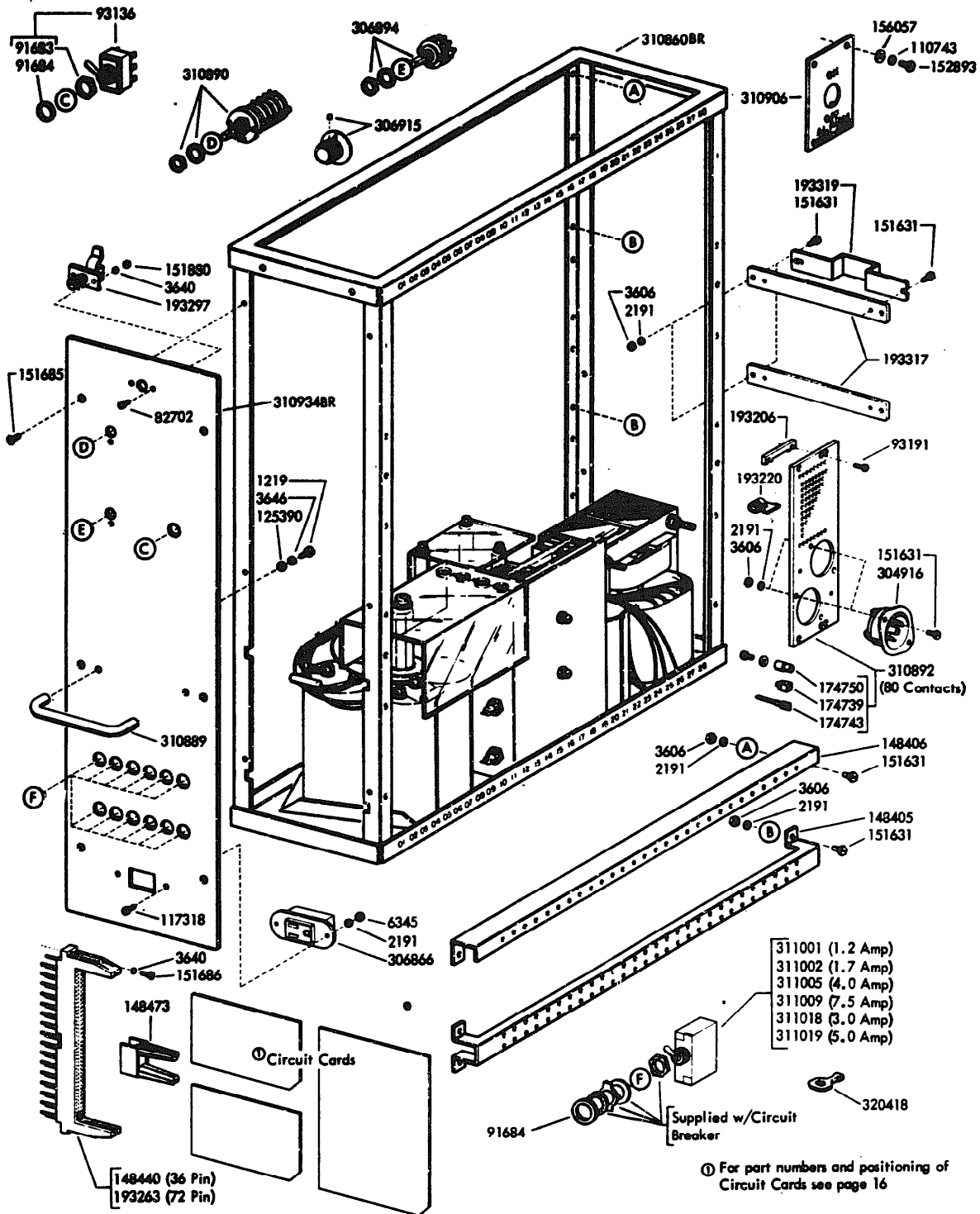


FIGURE 12. 310900BR POWER SUPPLY MODULE "A"

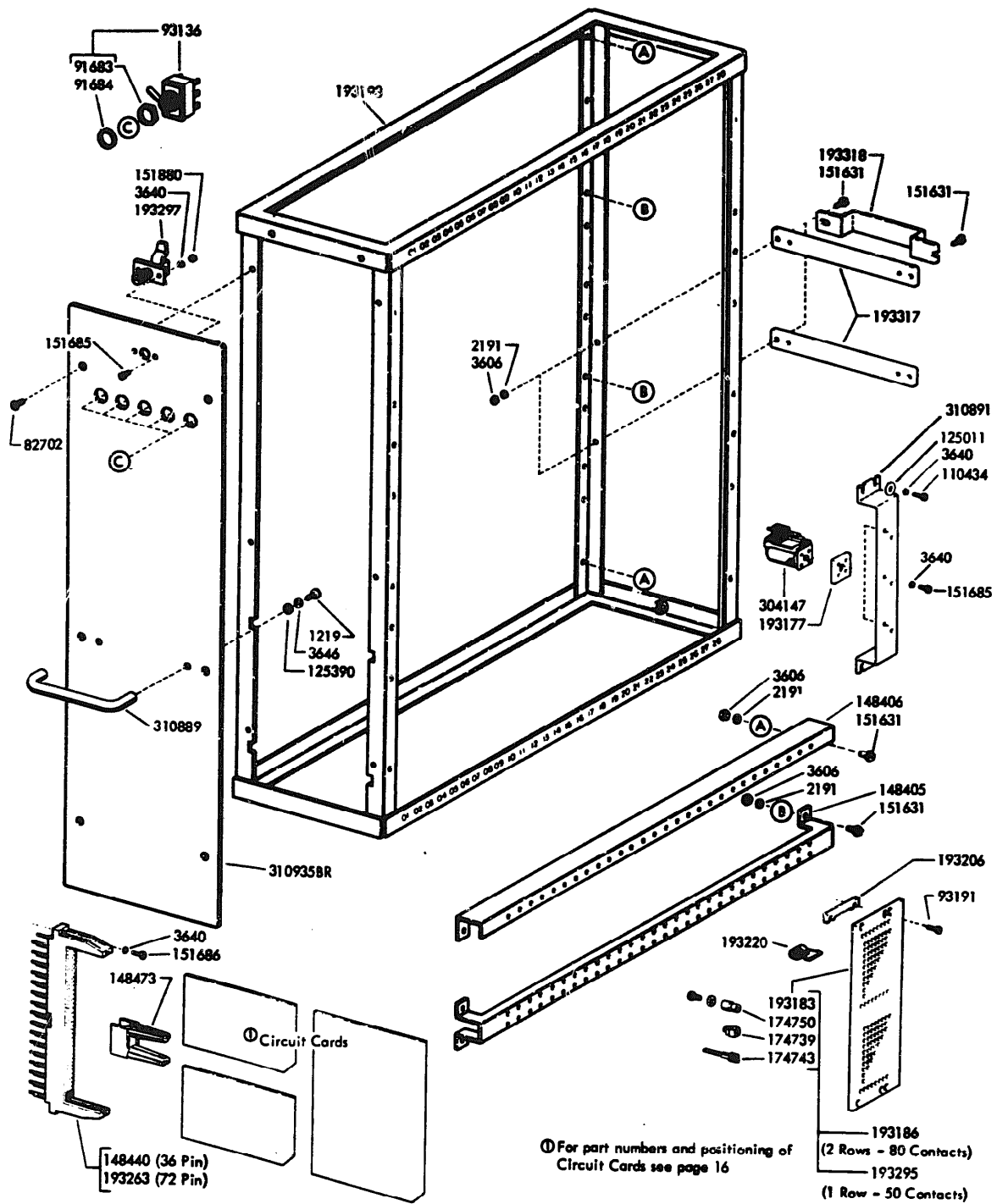


FIGURE 13.310901BR SEQUENCING MODULE "B"

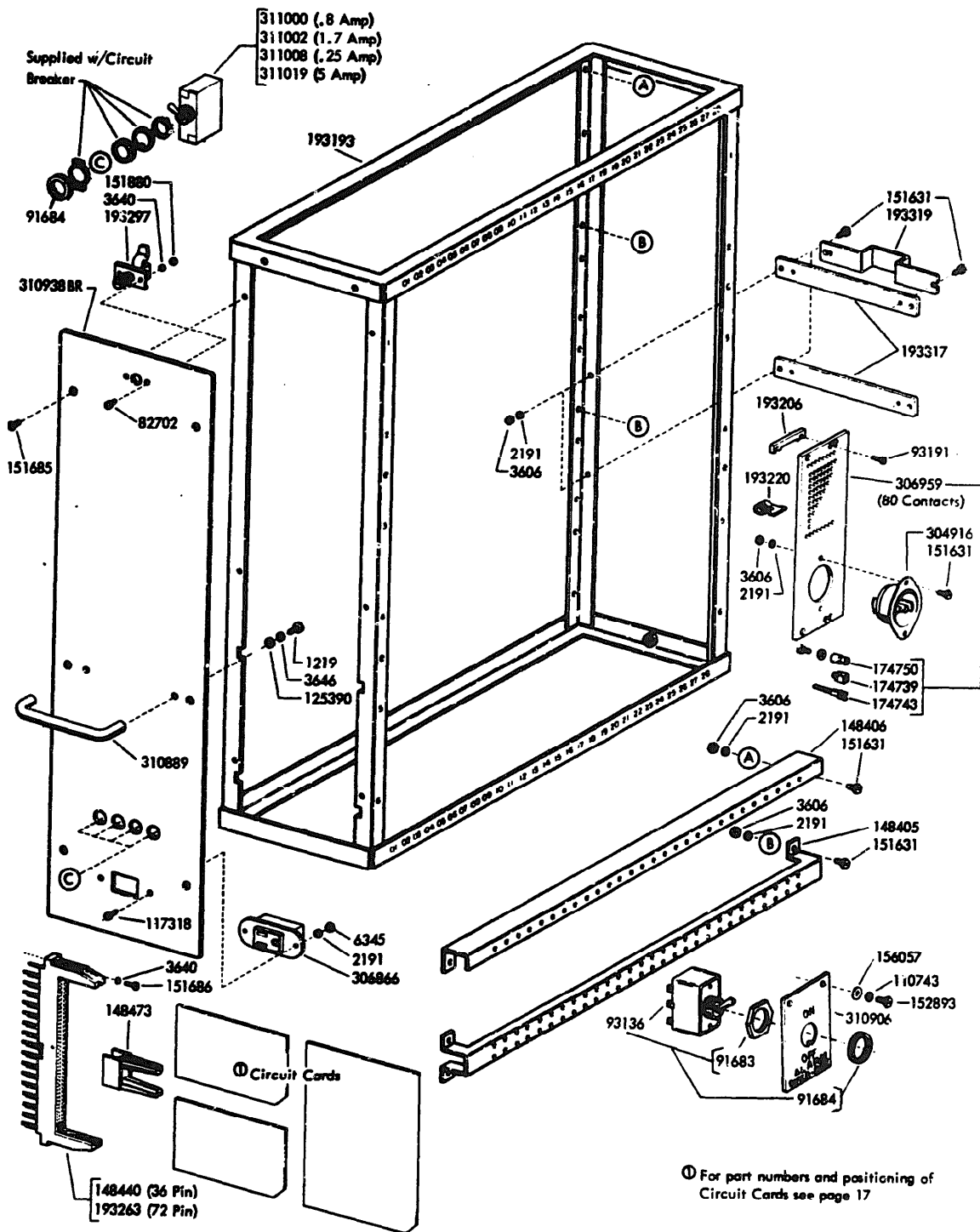


FIGURE 14. 310904BR READER CONTROL MODULE "E"

310900BR - MODULE "A"

Position On Bracket														
Row	1	2	3	4	5	6	7	8	9	10	11	12	13	14
1			303685		149248	303626		303719		303686		303686		303685
2					149248									
3	172356	303688	303685		303685		303686		303687		303627		149245	303685
4				303117										
5														
6														

310900BR - MODULE "A" (Continued)

Position On Bracket														
Row	15	16	17	18	19	20	21	22	23	24	25	26	27	28
1		303685		149252										
2				149253										
3		149243	303686		303686		303685		303689	303689	303689	303689	149244	
4														
5														
6														

310901BR - MODULE "B"

Position On Bracket														
Row	1	2	3	4	5	6	7	8	9	10	11	12	13	14
1		303685		303685		303686		303686		303685		303685		303685
2														
3		303685		149245	303685		303686		303685		303685		303718	
4														
5			303685		303685		149242	303717		303627		303628		303718
6							149242							

310901BR - MODULE "B" (Continued)

Position On Bracket														
Row	15	16	17	18	19	20	21	22	23	24	25	26	27	28
1		303685		303685		303691	303691	303691	303691	303691	177530			
2											303117			
3	303716		303629		303700		149245	303686		303685				
4														
5		303686		303686		303685		303685		303685		303685		
6														

FIGURE 15. CIRCUIT CARD POSITIONING CHARTS

3109048R MODULE "E"

Position On Bracket														
Row	1	2	3	4	5	6	7	8	9	10	11	12	13	14
1		172356	303685		149248	303687		303719		303686		303686		303685
2		303117												
3														
4														
5														
6														

3109048R MODULE "E" (Continued)

Position On Bracket														
Row	15	16	17	18	19	20	21	22	23	24	25	26	27	28
1		303685		303685										
2														
3												177530		
4												149242		
5														
6														

Position On Bracket														
Row	1	2	3	4	5	6	7	8	9	10	11	12	13	14
1														
2														
3														
4														
5														
6														

Position On Bracket														
Row	15	16	17	18	19	20	21	22	23	24	25	26	27	28
1														
2														
3														
4														
5														
6														

FIGURE 16. CIRCUIT CARD POSITIONING CHARTS

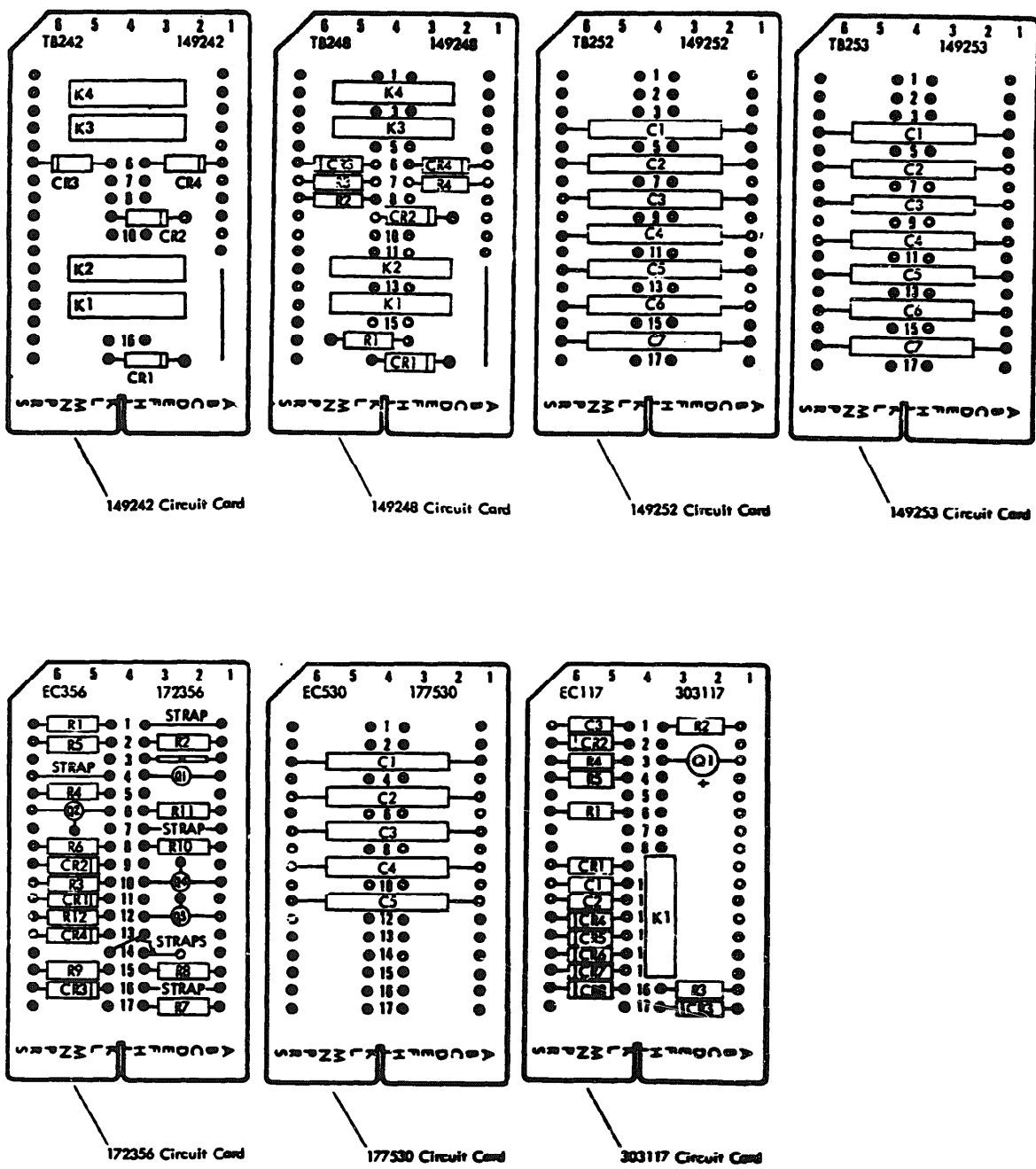
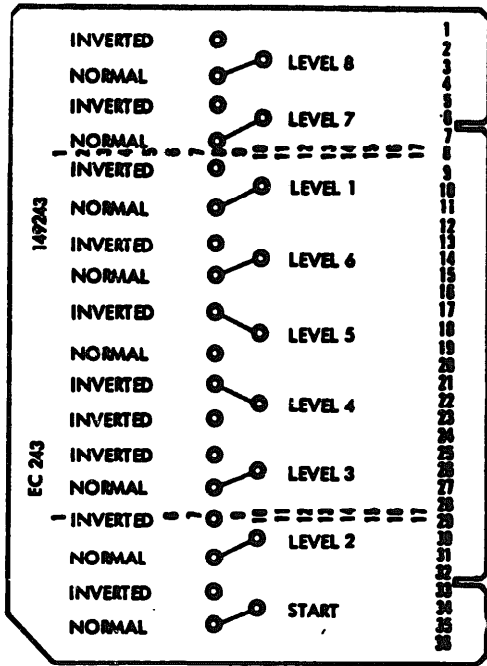
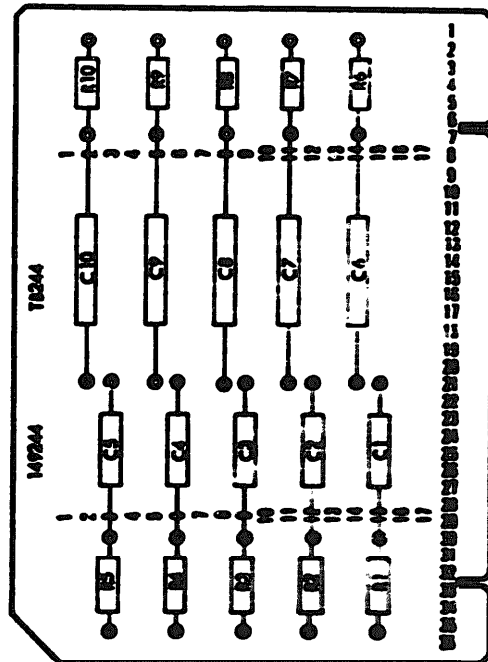


FIGURE 17. CIRCUIT OUTLINE CHART

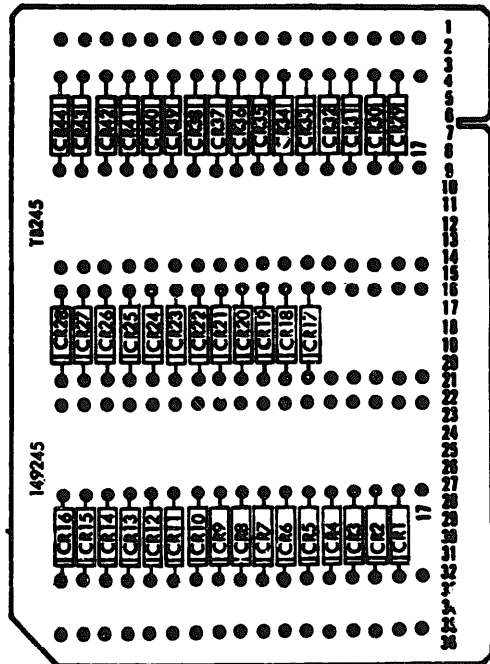




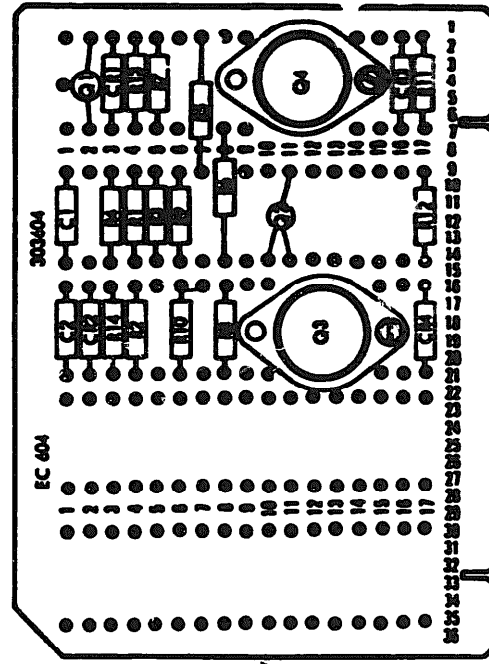
149243 Circuit Card



149244 Circuit Card

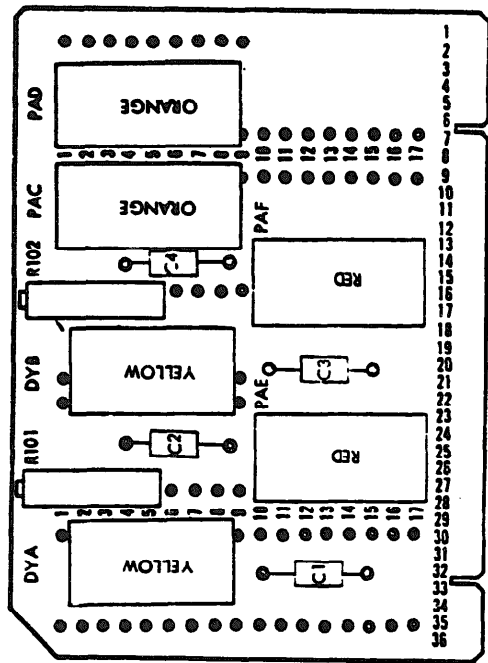


149245 Circuit Card

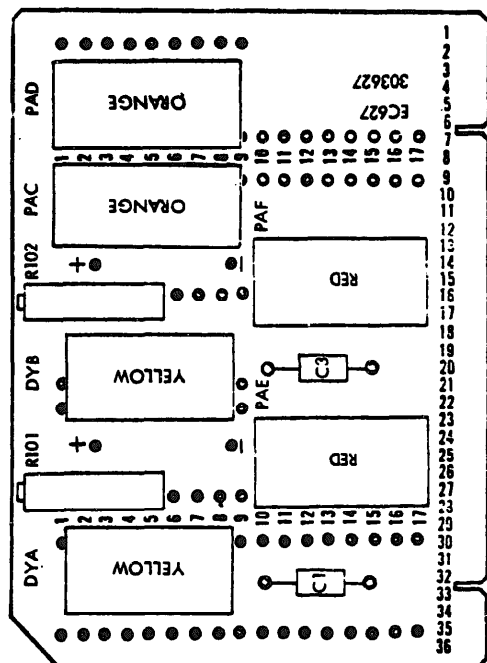


303604 Circuit Card

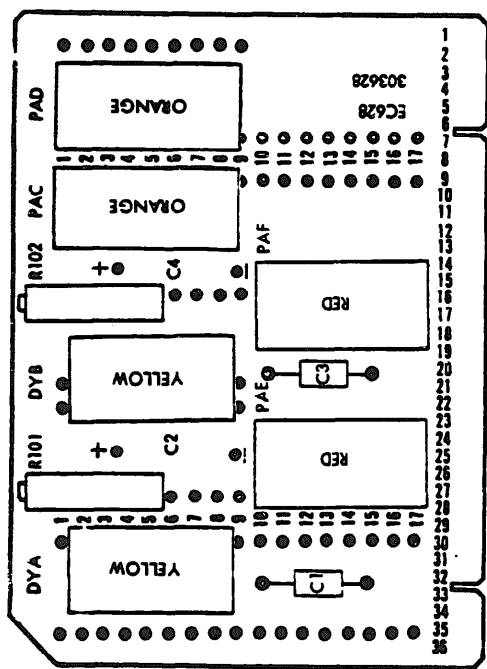
FIGURE 18. CIRCUIT CARD OUTLINE CHART (Continued)



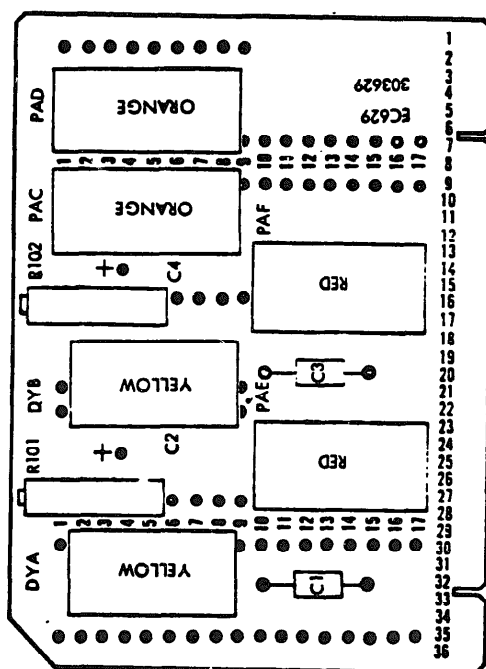
303626 Circuit Card



303627 Circuit Card

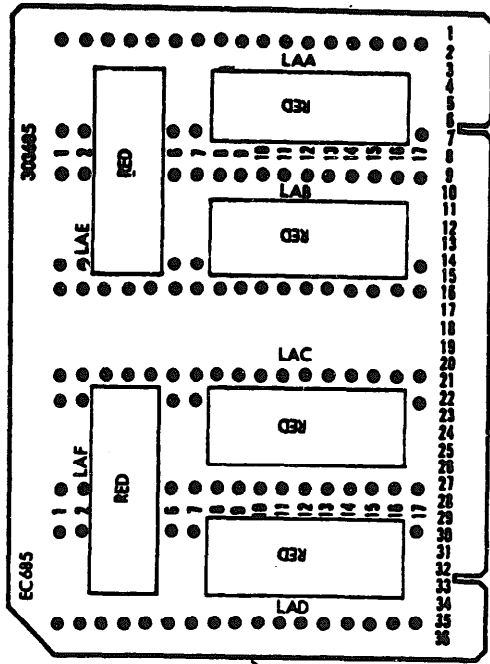


303628 Circuit Card

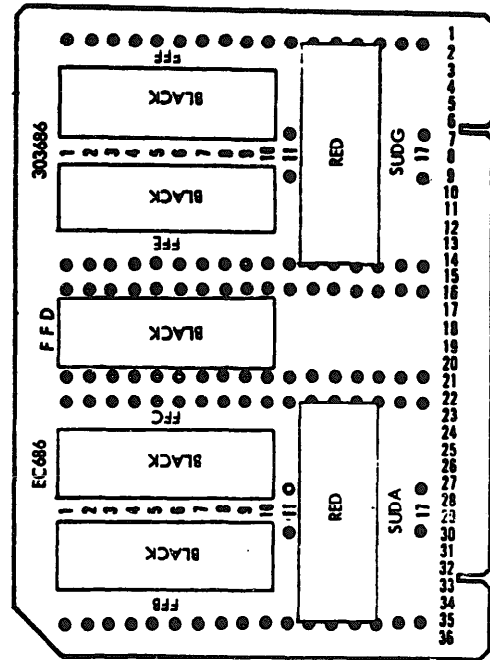


303629 Circuit Card

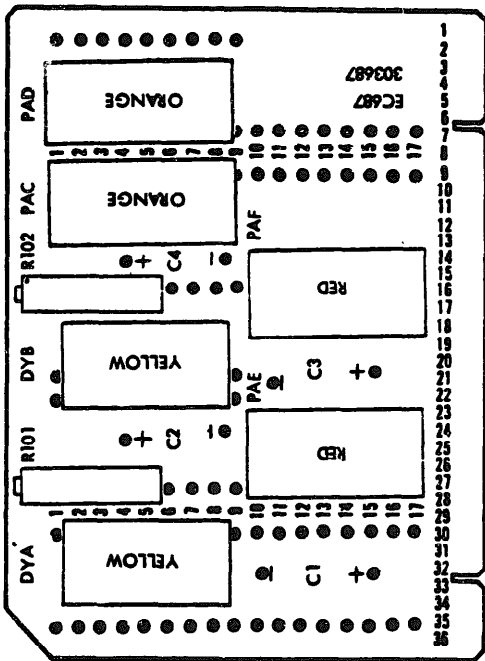
FIGURE 19. CIRCUIT CARD OUTLINE CHART (Continued)



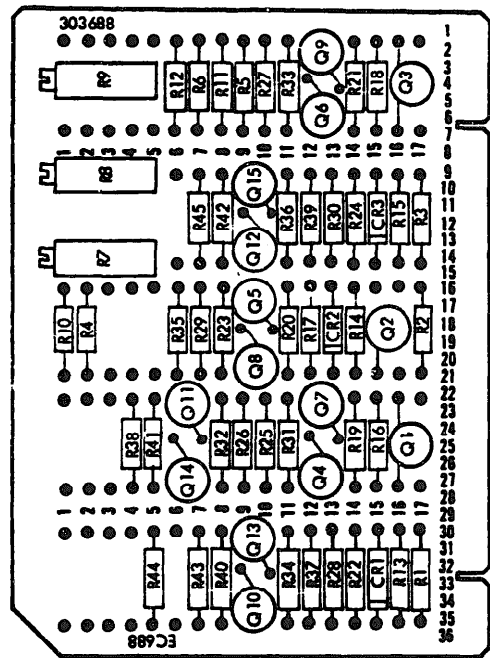
303685 Circuit Card



303686 Circuit Card

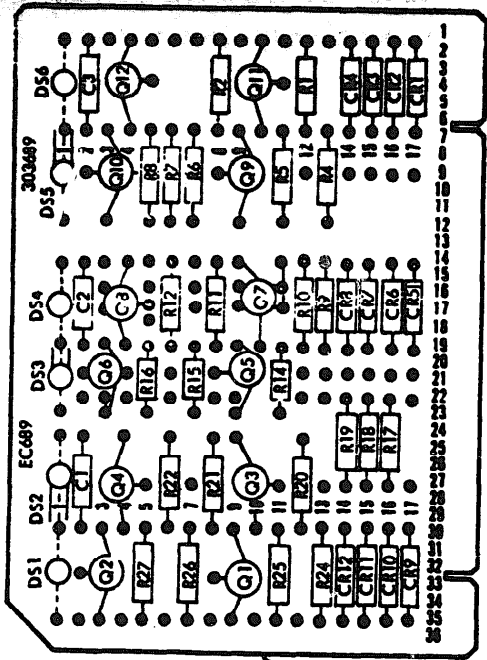


303687 Circuit Card

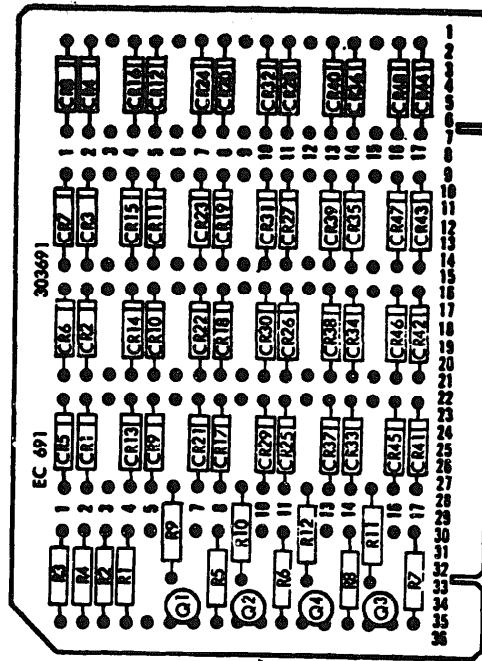


303688 Circuit Card

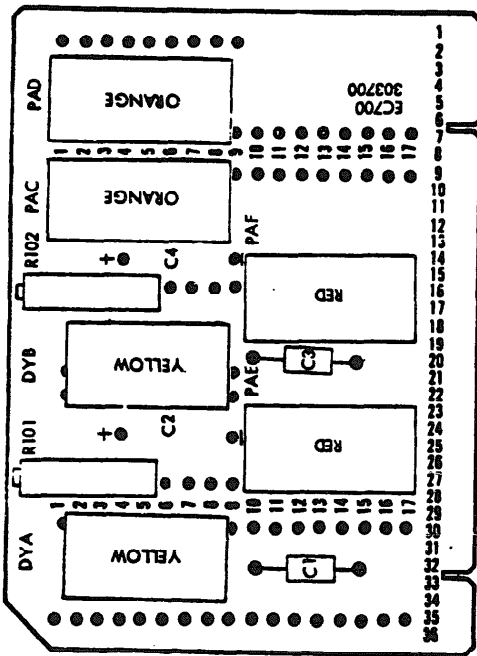
FIGURE 20. CIRCUIT CARD OUTLINE CHART (Continued)



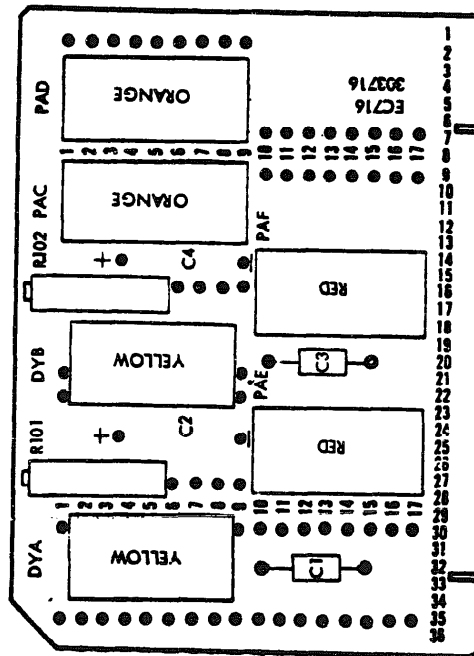
303689 Circuit Card



303691 Circuit Card

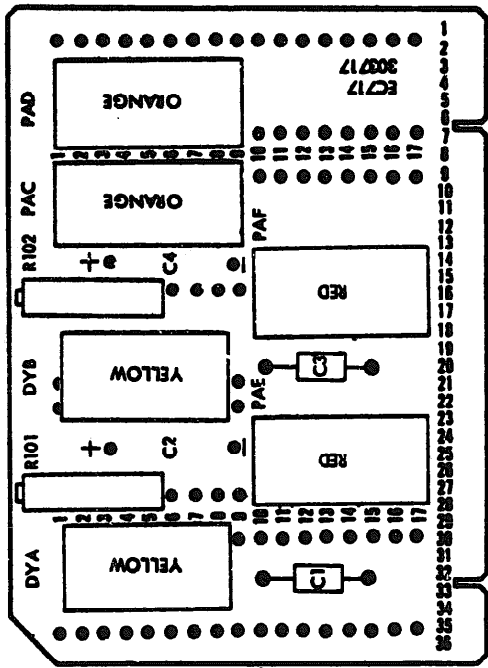


303700 Circuit Card

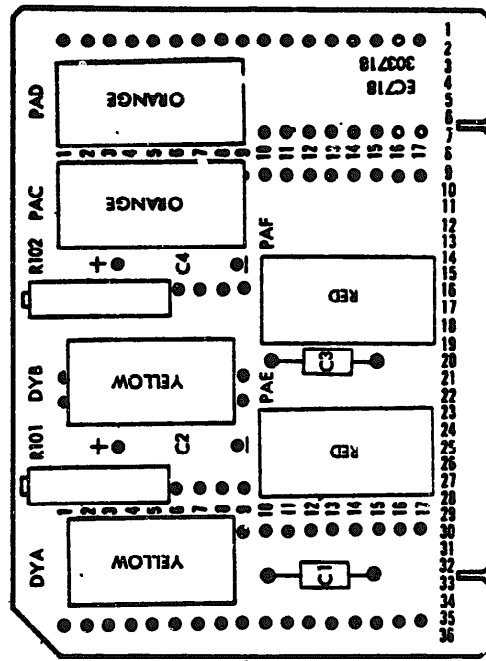


303716 Circuit Card

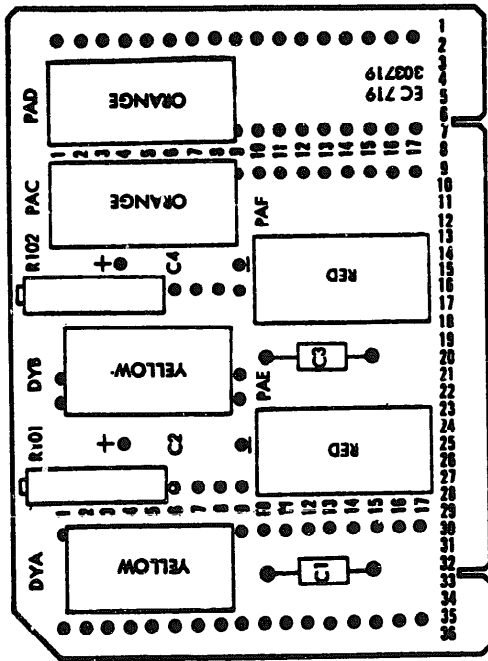
FIGURE 21. CIRCUIT CARD OUTLINE CHART (Continued)



303717 Circuit Card



303718 Circuit Card



303719 Circuit Card

FIGURE 22. CIRCUIT CARD OUTLINE CHART (Continued)

NUMERICAL INDEX

Part Number	Description and Page Number	Part Number	Description and Page Number	Part Number	Description and Page Number
265M	Coil, Magnet 4	91683	Nut, 15/32-32 Hex 13,14,15	145910BR	Channel, Right 6
1018	Screw, 3-48 x 5/16 Fil 3,10,11	91684	Nut, 15/32-32 Ring 13,14, 15	145982	Detent, Tape Reel 8
1157	Screw, 8-32 x 1/2 Fil 10	92115	Setscrew 8-32 7	146355	Plunger 8
1170	Screw, 6-32 x 5/16 Flat 2	93136	Switch, DP-DT Toggle 7, 13,14,15	146517	Spring 9
1171	Screw, 6-32 x 3/16 Fil 10,11	93191	Screw, 4-40 x 5/16 Flat 5,13,14,15	146612	Spring, Compression 8
1219	Screw, 8-32 x 5/16 Fil 13,14,15	98642	Lockwasher 4	146806	Adapter, Tape Reel 8
1264	Screw, 10-32 x 1/2 Flat 6	101633	Washer, Flat 4	147619	Plate w/Terminal Strip 10,11
2191	Lockwasher 2,4,5,7 to 15	106058	Block, Terminal 10,11	148405	Bracket 13,14,15
2263	Nut, 8-32 Hex 7	107116	Lockwasher 7,10,11,12	148406	Bracket 13,14,15
2669	Lockwasher 2,6 to 9	107364	Screw, 6-32 x 3/8 Fil 2	148440	Connector, 36 Pt Circuit Card 12,13,14,15
3354	Nut, 8-32 Hex 5,9	110434	Screw, 4-40 x 3/16 Fil 14	148444	Clamp, Cable 11
3438	Washer, Flat 2,6,7,8,9	110743	Lockwasher 2,4,7,13,15	148473	Guide, Circuit Card 13, 14,15
3598	Nut, 6-40 Hex 2,4,5,7,8, 10,11,12	111017	Screw, 6-40 x 5/16 Fil 5, 8,10,11	148843	Rectifier 12
3599	Nut, 4-40 Hex 3	111410	Washer, Flat 4	149050	Plate, Mounting 12
3606	Nut, 6-40 Hex 4,5,10,11 13,14,15	112626	Nut, 10-32 Hex 4,6,8,9	149051	Rectifier Assembly 12
3610	Spring 5	114654	Strip, Terminal 11	149052	Rectifier Assembly 12
3640	Lockwasher 3,11 to 15	117318	Screw, 6-32 x 17/64 Fil 13,15	149053	Plate, Rectifier 12
3646	Lockwasher 5,6,7,9,12 to 15	117833	Stud 10,11	149054	Insulator 12
3649	Washer, Flat 10	119367	Setscrew, 8-32 7	149055	Transformer 12
5599	Nut, 8-32 Hex 5,12	119638BR	Button, Plug 2	149056	Resistor, 25 Ohm 12
6345	Nut, 6-32 Hex 2,5,9,13, 15	119649	Ring, Retaining 4	149057	Screw, Nylon 4-40 x 1/2 Flat 12
7002	Washer, Flat 2,4,5,7,11, 12	119652	Ring, Retaining 4,9	149058	Capacitor, 3500 MFD 12
8330	Washer, Flat 12	119653	Ring, Retaining 4,5,7, 8,9	149061	Rectifier 12
34432	Washer, Flat 6	120175	Plate, ON-OFF 7	149062	Post 12
35551	Screw, 10-32 x 3/8 Flat 6	121503	Post 10	149063	Post 12
42827	Screw, 3-48 x 1/4 Fil 4	124611	Screw, 8-32 x 3/8 Hex 5,6,7,12	149064	Plate, Insulator 12
44048	Washer, Flat 5,7	125011	Washer, Flat 3,4,7,11,14	149242	Card, Circuit 16,17,18
55088	Spring 4	125014	Washer, Flat 7,8	149243	Card, Circuit 16,19
55089	Spring 5	125015	Washer, Flat 9		Card, Circuit 16,19
58221	Screw, 6-32 x 1/2 Rd 10,11	125170	Screw, 8-32 x 5/16 Fil 5		Card, Circuit 16,18
70073	Nut, 3-48 Hex 3,10,11	125390	Washer, Flat 13,14,15		Card, Circuit 16,18
70720	Screw, 10-32 Shoulder 9	125802	Washer, Flat 2		Door, Front 2
75645	Screw, No.0 x 1/8 Drive 8	129381	Grommet, Rubber 2		Sleeve 7
80342	Screw, 6-40 x 23/64 Hex 10,11	137438	Resistor, 100 Ohm 10,11,		Insulator, Terminal Block 8
82702	Screw, 6-40 x 9/32 Flat 13,14,15	142230	Suppressor, Electrical Noise 2		Screw, 4-40 x 3/16 Hex 4,12
82832	Lockwasher 6	142379	Pin, Roll 8		Stud 8,10,11
84575	Spring 4	143307	Fuse, .6 Amp 7		Screw, 6-40 x 3/8 Fil 12
90490	Shim, .005" Thk 4	143613	Lamp, 14 V Incandescent 3		Plate, Patent 8
		145904	Hinge, Right 2		Block, Terminal 8
		145905	Hinge, Left 2		Nut, 6-40 Hex 8
		145909BR	Channel, Left 6		Screw, 6-40 x 1/4 Hex 4,5,7,8,9

**NUMERICAL INDEX (Continued)**

<b>Part Number</b>	<b>Description and Page Number</b>	<b>Part Number</b>	<b>Description and Page Number</b>	<b>Part Number</b>	<b>Description and Page Number</b>
151631	Screw, 6-40 x 5/16 Hex 2,7,8,10 to 15	161708	Latch, Magnetic 2	174743	Terminal, Plug Type 13, 14,15
151637	Screw, 4-40 x 1/4 Fil 4	161711	Block, Guide 6	174750	Key Assembly, Locating 13,14,15
151642	Screw, 6-40 x 3/4 Fil 8	161716	Block, Support 6	174785	Terminal, Plug Type 10,11
151657	Screw, 6-40 x 1/4 Fil 3, 8,10,11,12	165448	Resistor, 100 Ohm 11	175060	Nameplate 2
151685	Screw, 4-40 x 5/16 Fil 13,14,15	170631	Holder, Fuse 7	176440	Bracket, Stop 4
151686	Screw, 4-40 x 3/8 Fil 13, 14,15	170939	Screw, 6-40 Eccentric 4	177108	Diode 10,11
151687	Screw, 4-40 x 7/16 Fil 2	171451	Capacitor, 3500 MFD 12	177530	Card, Circuit 16,17,18
151692	Screw, 6-40 x 3/16 Fil 11,12	171541	Diode 3	177611	Rectifier 3
151693	Screw, 6-40 x 9/16 Fil 7,10,11	171554	Connector, 50 Pt Plug 10	178482	Bracket 4
151723	Screw, 10-32 x 3/8 Hex 7,9	171555	Connector, 50 Pt Receptacle 4,10,11	179495	Screw, 10-24 x 1/2 Hex 6
151732	Screw, 4-40 x 11/32 Fil 11	171568	Socket, 11 Pt 11	181246	Screw w/Lockwasher, 6-40 x 5/8 Hex 12
151880	Nut, 4-40 Hex 13,14,15	172159	Insulator, Terminal Block 12	181424	Nut, 6-40 Sq 12
151924	Insulator, .031" Thk 7	172356	Card, Circuit 16,17,18	183111	Label 12
151925	Clamp 7	172632	Screw, 4-40 x 3/16 Hex 12	185677	Terminal, Receptacle Type 7
151939	Grommet, Rubber 10,11	172715	Screw, 10-24 Captive 2	193053	Capacitor, 2 MFD 11
152893	Screw, 4-40 x 1/4 Hex 13,15	172763	Nut, Grip 2	193147	Capacitor, .25 MFD 7
153103	Screw, 4-40 Self-Tapping 2	172763	Nut, Grip 2	193177	Spacer, Relay 14
153484	Screw, 6-32 Spl 12	173521	Plate w/Posts 4	193183	Plate, Connector 14
153799	Screw, 4-40 x 21/64 Hex 4,7	173526	Shaft 4	193186	Plate Assembly, Connector 14
153819	Lockwasher 3,10,11	173534	Spacer, .032" Thk 4	193193	Frame 14,15
153839	Screw, 6-40 x 5/8 Hex 7,8	173534	Gear, 20T 4	193206	Spacer 13,14,15
153841	Screw, 6-40 x 9/16 Hex 4	173535	Spacer, .125" Thk 4	193220	Clip, Jumper 13,14,15
154047	Post, Spring 4	173537	Shaft 4	193263	Connector, 72 Pt Circuit Card 13,14,15
154406	Block, Terminal 12	173539	Bracket, Magnet Mounting 4	193295	Plate, Connector 14
155752	Sleeve, 5/64 ID x 1/2" Lg Insulating 3	173540	Hinge 4	193297	Fastener, Adjustable 13,14,15
155754	Sleeve, 1/16 ID x 1/2" Lg Insulating 3,10,11	173541	Bail, Armature 4	193311	Connector Assembly 10
156057	Washer, Flat 13,15	173542	Pawl, Feed 4	193312	Connector Assembly 10,11
156539	Washer, Felt 4	173544	Pawl, Check 4	193315	Bracket, Connector 10,11
156632	Screw, 6-40 x 13/32 Hex 4	173545	Post, Eccentric 4	193317	Strap 13,14,15
156740	Screw, 6-40 x 19/64 Hex 4	173546	Gear, 8T 4	193318	Clamp, Cable 10,14
156806	Post 5	173547	Gear, 8T 4	193319	Clamp, Cable 13,15
156993	Nut, Speed 3	173548	Shaft 4	193344BR	Panel, Rear 2
160664	Pin, Roll 8	173563	Armature, Magnet 4	194748	Reel, Tape 8
160847	Stud 12	173569	Window, Numbering 3	194988	Screw, 10-32 Spl 9
161238	Connector, 36 Pt Receptacle 3,10	173717	Plate, Magnet 4	195831	Ring, Rubber 7,8
161239	Connector, 36 Pt Plug 11	173842	Stud 10,11	195832	Bushing 7,8
		173845	Board, Terminal 10	197961	Shield, End 7
		173937	Motor, 115 V Induction 7	197962	Shield, End 7
		173388	Relay 7	197990	Stator, Motor 7
		173974	Screw, 10-32 x 5/16 Hex 2,7,8,9	197991	Rotor, Motor 7
		174678	Nut, Speed 2	197992	Washer, Thrust 7
		174722	Connector, 50 Pt Plug Type 10,11	197993	Screw, 8-32 x 3-7/8 Fil 7
		174723	Connector, 80 Pt Plug Type 10,11	199578	Bushing, Snap 12
		174738	Insulator, White 10,11		
		174739	Insulator, White 13,14,15		

**NUMERICAL INDEX (Continued)**

<b>Part Number</b>	<b>Description and Page Number</b>	<b>Part Number</b>	<b>Description and Page Number</b>	<b>Part Number</b>	<b>Description and Page Number</b>
199901	Reel, Tape 8	306843	Relay, Reed 10,11	309655BR	Panel 5
300053	Capacitor, 100 MFD 12	306866	Connector, 3 Pt Plug 13,15	309656BR	Frame 6
300094	Housing, Switch 3	306894	Switch, 4 Pole 13	309657	Spacer 9
300150	Switch Assembly 3	306915	Dial 13	309658	Extension, Drive Arm 9
300152	Switch Assembly 3	306959	Plate Assembly, 80 Pt 15	309659	Bracket 9
300153	Cover 3	309546	Bracket, Motor 7	309660	Bracket 9
300154	Housing, Switch 3	309547BR	Cover 5	309661	Post 9
300155	Horizontal Circuit, Front End 3	309548	Pin, Roll 9	309662	Bellcrank 9
300156	Diffuser, White 3	309549	Capstan Assembly 7	309663	Link 9
300157	Diffuser, White Horizontal 3	309550	Retainer, Tape 5	309664	Stud 9
300159	Switch, SP-DT 3	309551	Stud 5,9	309665	Bracket 7
300161	Switch, SP-DT 3	309552	Roller 5,9	309666	Bracket 7
300162	Lens, Red 3	309554	Spacer 7	309667BR	Crossbar, Upper 7
300167	Clip, Indicator 3	309555	Post 7	309660	Shaft 7
300168	Common Circuit, Front End 3	309558	Blade w/Pin 5	309669	Sprocket 7
300169	Switch Assembly 3	309559	Plug 8	309670BR	Bracket, Lower 8
302725	Bracket, Capacitor 12	309566	Roller 8	309671	Bracket, Tape Reel 8
302753	Strip, Terminal 11	309567	Stud 8	309672	Spacer 8
303079	Screw, 10-32 Thumb 5	309568	Post 5	309673	Shaft, Clutch 8
303080	Sleeve 5	309569	Post 5	309674	Block, Tape Tension 5
303081	Stud 5	309571	Screw, 10-32 Shoulder 9	309675	Post 5
303085	Arm Assembly, Clutch release 9	309572	Arm, Drive 9	309677	Lever Assembly, Clutch Release 9
303117	Card, Circuit 16,17,18	309573	Bracket, Roller 5	309681	Pulley, 72T 8
303604	Card, Circuit 12,19	309574	Bracket, Roller 8	309683	Belt, 105T Drive 8
303626	Card, Circuit 16,20	309575	Joint, Ball 9	309684	Belt, 115T Drive 7
303627	Card, Circuit 16,20	309576	Post, Pulley 9	309688	Post, Spring 9
303620	Card, Circuit 16,20	309577	Belt, V 9	310060	Contact Assembly 4
303629	Card, Circuit 16,20	309578	Arm, Release 9	310061	Pawl 4
303685	Card, Circuit 16,17,21	30580	Bracket w/Hub 9	310062	Spring, Torsion 4
303686	Card, Circuit 16,17,21	309583	Pulley, 48T 7	310063	Bracket, Guide 4
303687	Card, Circuit 16,17,21	309584	Keeper 5,9	310065	Disc w/Post 4
303688	Card, Circuit 16 21	309587	Ring, Grip 9	310068	Disc w/Ratchet 4
303689	Card, Circuit 16,22	309589	Plate, Nut 5	310317	Bracket, Roller 5
303691	Card, Circuit 16,22	309590	Ring, Retaining 7,8	310310	Bracket, Roller 5
303700	Card, Circuit 16,22	309593	Bearing 7,8	310326	Plate, Instruction 5
303716	Card, Circuit 16,22	309594	Post, Adjusting 8	310860BR	Power Supply 13
303717	Card, Circuit 16,23	309596	Nut, Speed 7,8	310870	Fuse-Switch Assembly 7
303718	Card, Circuit 16,23	309610	Window 5	310889	Handle 13,14,15
303719	Card, Circuit 16,17,23	309611	Retainer, Glass 5	310890	Switch, Rotary 13
304147	Relay 14	309613	Shaft, Tape Reel 8	310891	Bracket, Relay 14
304915	Connector, 2 Pt Receptacle 10,11	309614	Pulley, Drive 8	310892	Connector Assembly 13
304916	Connector, 2 Pt Plug 13, 15	309615	Pulley 8	310893	Bracket, Relay 11
306790	Hinge 12	309616	Bracket 9	310896BR	Panel, Front 2
306838	Trisc 10,11	309617	Pulley w/Bearings 9	310897BR	Cover, Control Panel 2
		309618	Bracket, Roller 9	310900BR	Module "A" 1,13,16
		309621BR	Container, Tape 5	310901BR	Module "B" 1,14,16
		309641	Shaft Assembly, Tape Reel 8	310904BR	Module "E" 1,15,17
		309653	Bracket, Left 5	310906	Plate 13,15
		309654	Bracket, Right 5	310915BR	Panel, Control 3



**NUMERICAL INDEX (Continued)**

<b>Part Number</b>	<b>Description and Page Number</b>	<b>Part Number</b>	<b>Description and Page Number</b>	<b>Part Number</b>	<b>Description and Page Number</b>
310916BR	<b>Door 3</b>	31963	<b>Breaker, Circuit 13</b>	311009	<b>Breaker, Circuit 13</b>
310919BR	<b>Panel, Control 3</b>	31964	<b>Lens 3</b>	311012	<b>Breaker, Circuit 10,11</b>
310934BR	<b>Plate, Front 13</b>	31971	<b>Lens 3</b>	311013	<b>Breaker, Circuit 11</b>
310935BR	<b>Plate, Front 14</b>	310978	<b>Decalcomania 2</b>	311014	<b>Breaker, Circuit 10</b>
310938BR	<b>Plate, Front 15</b>	310979	<b>Decalcomania 2</b>	311018	<b>Breaker, Circuit 13</b>
310941	<b>Panel 10</b>	31982	<b>Decalcomania 2</b>	311019	<b>Breaker, Circuit 13,15</b>
310942	<b>Panel 11</b>	31984	<b>Cable Assembly 7</b>	311020	<b>Breaker, Circuit 10,11</b>
310943	<b>Clamp, Cable 10,11</b>	31988	<b>Resistor, 150 Ohm 3</b>	311045	<b>Decalcomania 2</b>
310944	<b>Cable Assembly 11</b>	31989	<b>Relay 11</b>	311048	<b>Block, Terminal 10</b>
310945	<b>Cable Assembly 10</b>	31990BR	<b>Cabinet 2</b>	311608	<b>Connector, 50 Ft</b>
310951	<b>Switch Assembly 10</b>	310991	<b>Strip, Insulator 10,11</b>		<b>Receptacle 7,10,11</b>
310952	<b>Switch Assembly, Motor 10,11</b>	31992	<b>Bracket, Lock 12</b>	311909	<b>Drum 4</b>
310953	<b>Bracket, Connector 4</b>	31992	<b>Bracket, Hinge 12</b>	311910	<b>Drum 4</b>
310954	<b>Plate, Mounting 2</b>	31994	<b>Bracket, Mounting 12</b>	311911	<b>Drum 4</b>
310955	<b>Lens 3</b>	31995	<b>Cover, Insulating 10,11</b>	312041	<b>Connector, 4 Pt</b>
31956	<b>Lens 3</b>	31996	<b>Cover 12</b>		<b>Receptacle 7,10,11</b>
310957	<b>Lens 3</b>	31999	<b>Bracket 7</b>	312042	<b>Connector, 4 Pt Plug 7</b>
310958	<b>Lens 3</b>	311000	<b>Breaker, Circuit 15</b>	320410	<b>Terminal, Spade Type 10,11</b>
310959	<b>Lens 3</b>	311001	<b>Breaker, Circuit 13</b>		
31961	<b>Lens 3</b>	311002	<b>Breaker, Circuit 13,15</b>	320418	<b>Terminal, Ring Type 11,13</b>
310962	<b>Lens 3</b>	311005	<b>Breaker, Circuit 13</b>	323931	<b>Clip, Spring 8</b>
		311008	<b>Breaker, Circuit 15</b>		

HIGH SPEED TAPE RECEIVER CABINET (AC)  
FOR  
MULTIPLE ADDRESS PROCESSING SYSTEM (MAPS)  
PARTS

FIGURE	CONTENTS	PAGE
1	Panels, Doors and Frame	2
2	Inner Frame, Module Guide and Noise Suppressor	3
3	Control Panel	4
4	Circuit Breakers and Terminal Board	5
5	Upper and Lower Shelves	6
6	Tape Unwinder Mechanism	7
7	Chad Disposal and Motor	8
8	Chad Box	9
9	Tape Punch Mounting Parts	10
10	Power Panel	11
11	Electrical Components	12
12	Fans	13
13	310902BR Punch Drive - Module "C"	14
14	310903BR Receiver Control - Module "D"	15
15	Circuit Card Positioning Charts	16
16	Circuit Card Outline Chart	17
17	Circuit Card Outline Chart (Continued)	18
18	Circuit Card Outline Chart (Continued)	19
19	Circuit Card Outline Chart (Continued)	20
	Numerical Index	21

NOTE: Painted part color,  
BR-Navy Light Gray



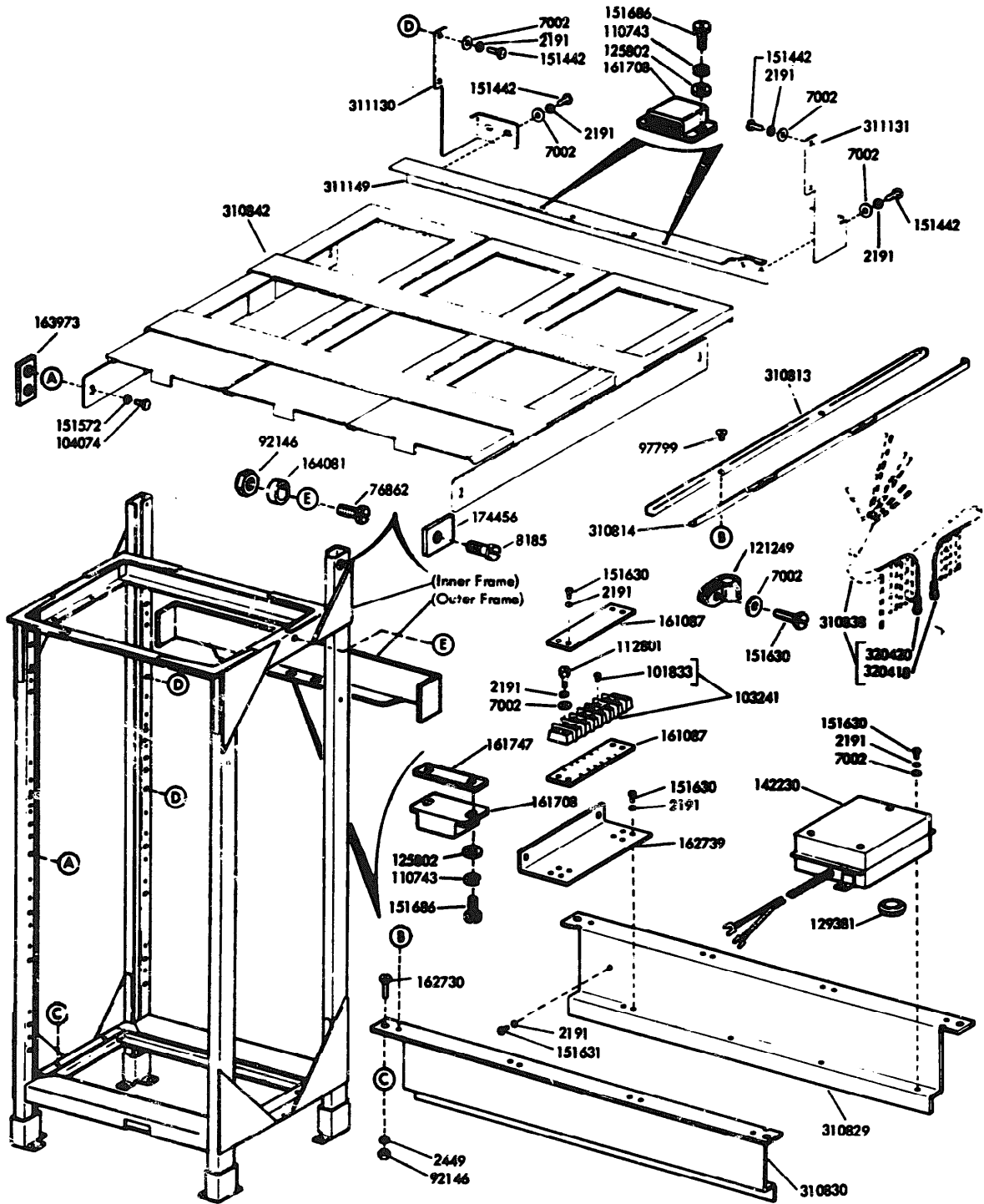


FIGURE 2. INNER FRAME, MODULE GUIDE AND NOISE SUPPRESSOR

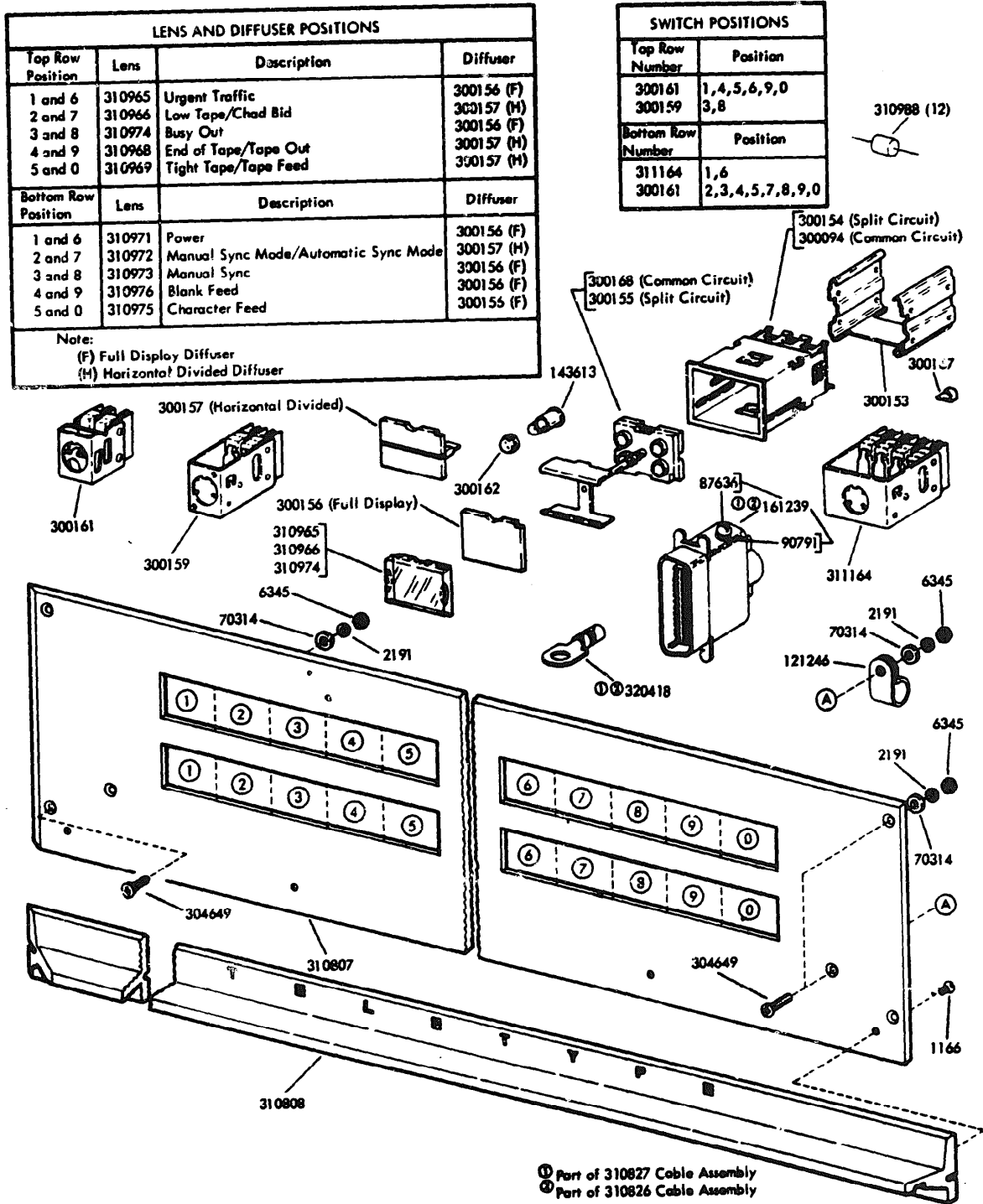


FIGURE 3. CONTROL PANEL

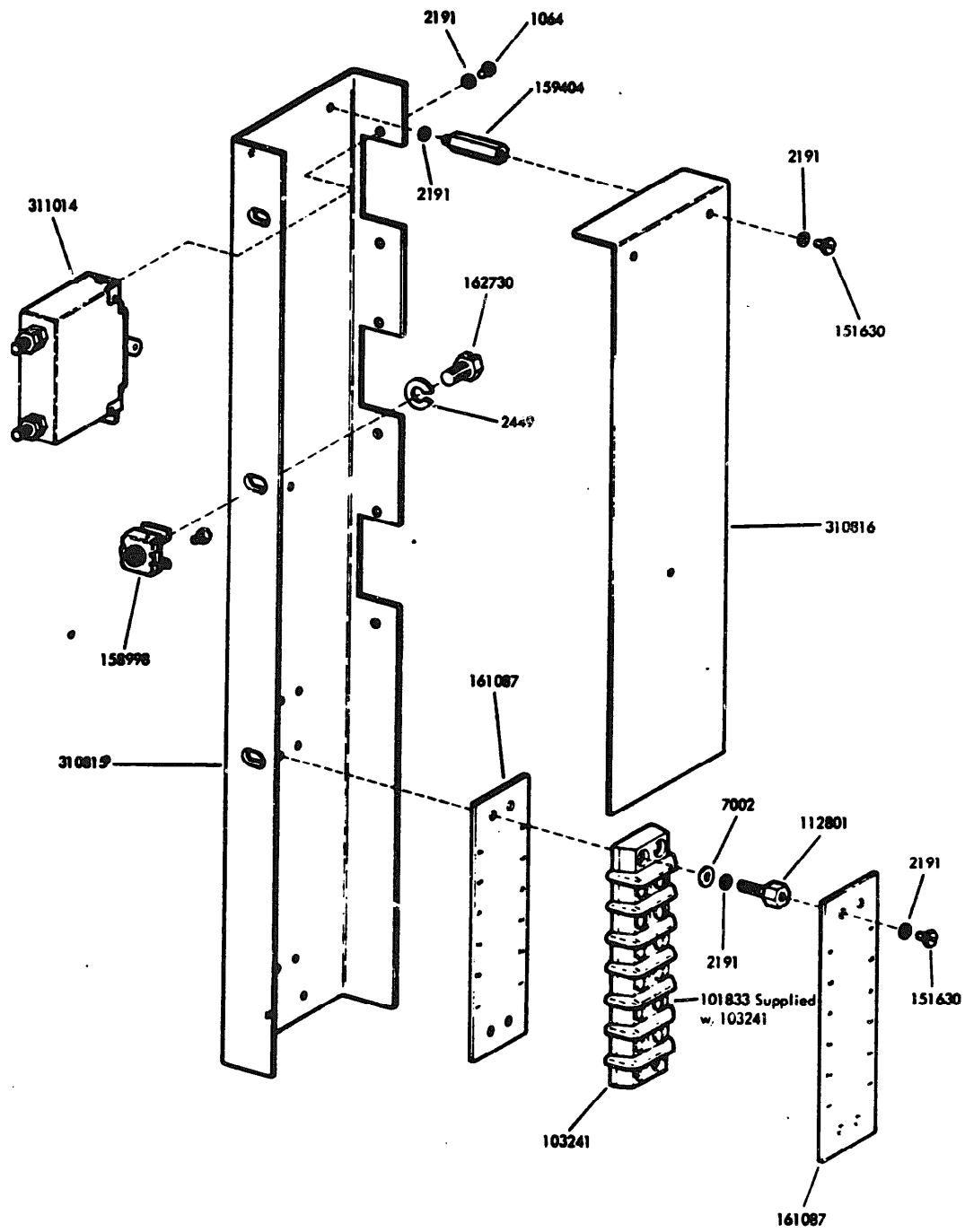


FIGURE 4. CIRCUIT BREAKERS AND TERMINAL BOARD



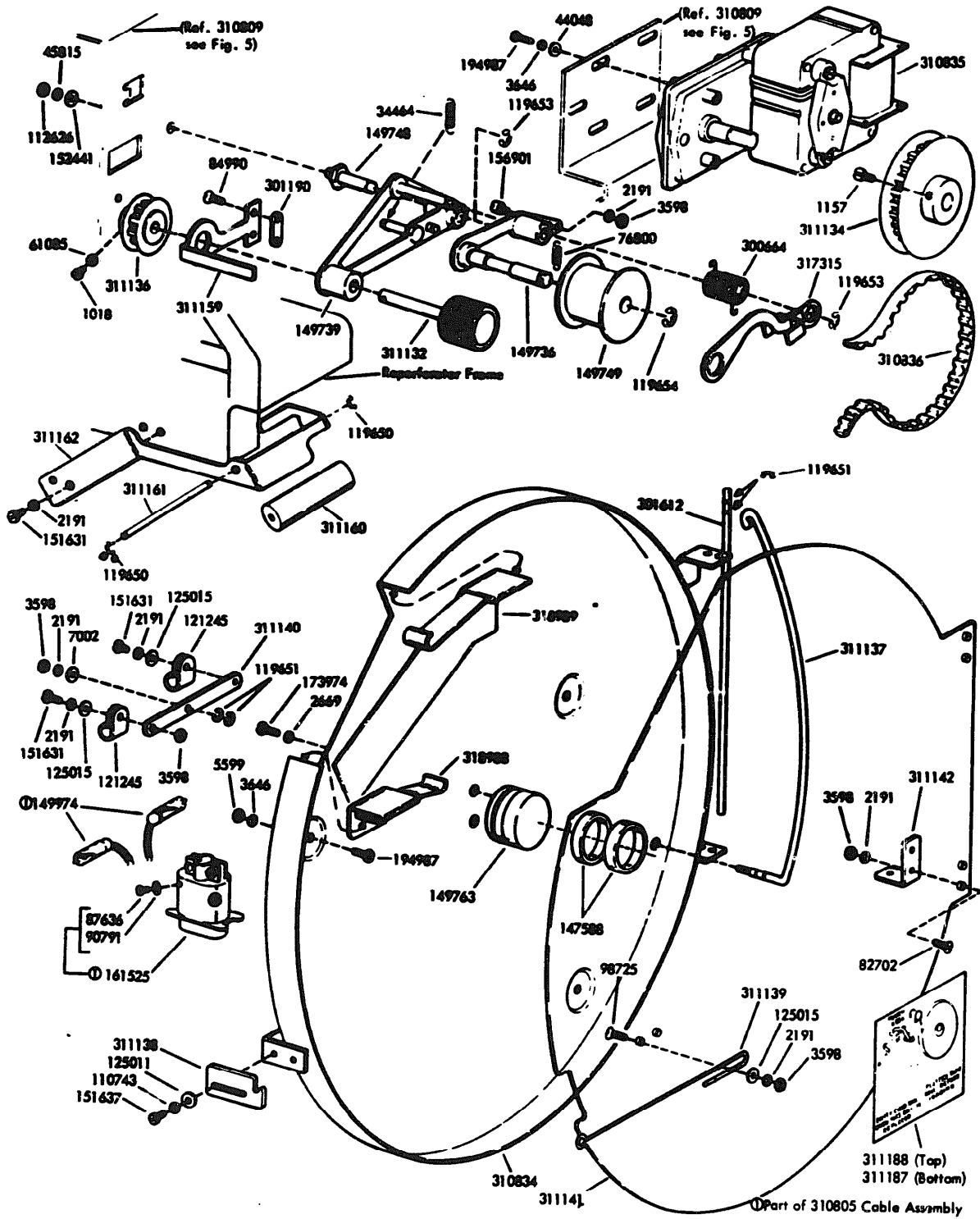


FIGURE 6. TAPE UNWINDER MECHANISM



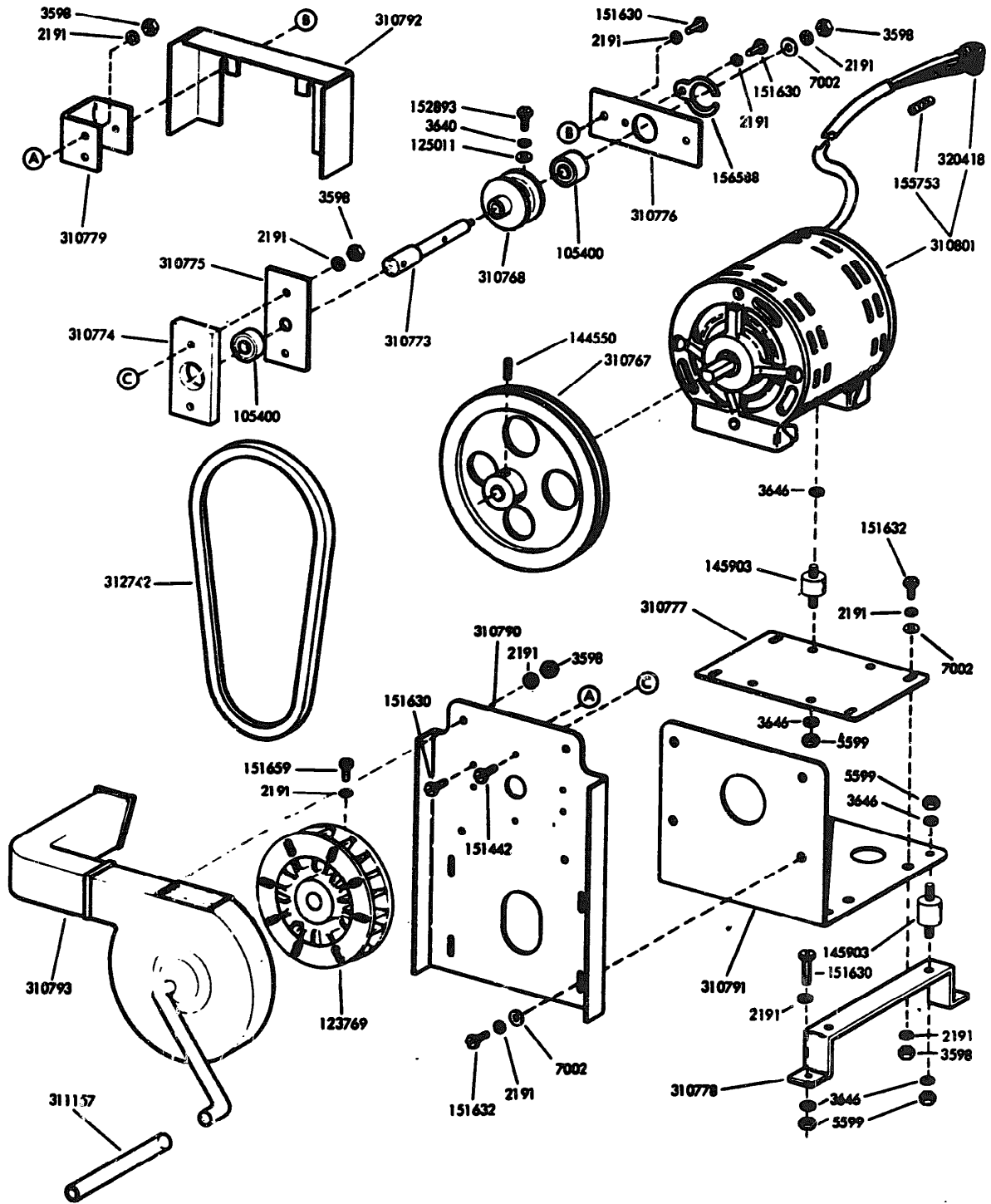


FIGURE 7. CHAD DISPOSAL AND MOTOR



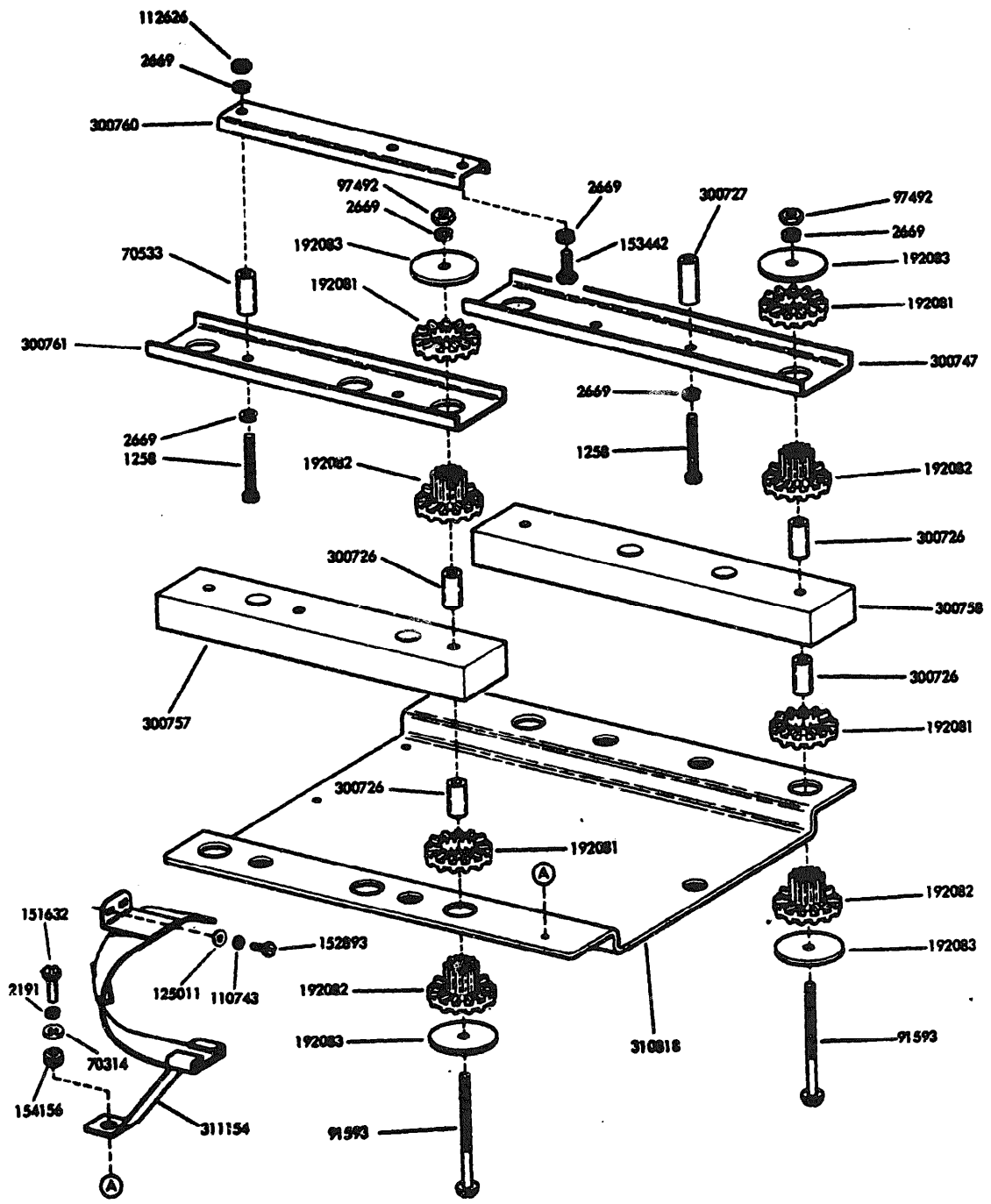


FIGURE 9. TAPE PUNCH MOUNTING PARTS

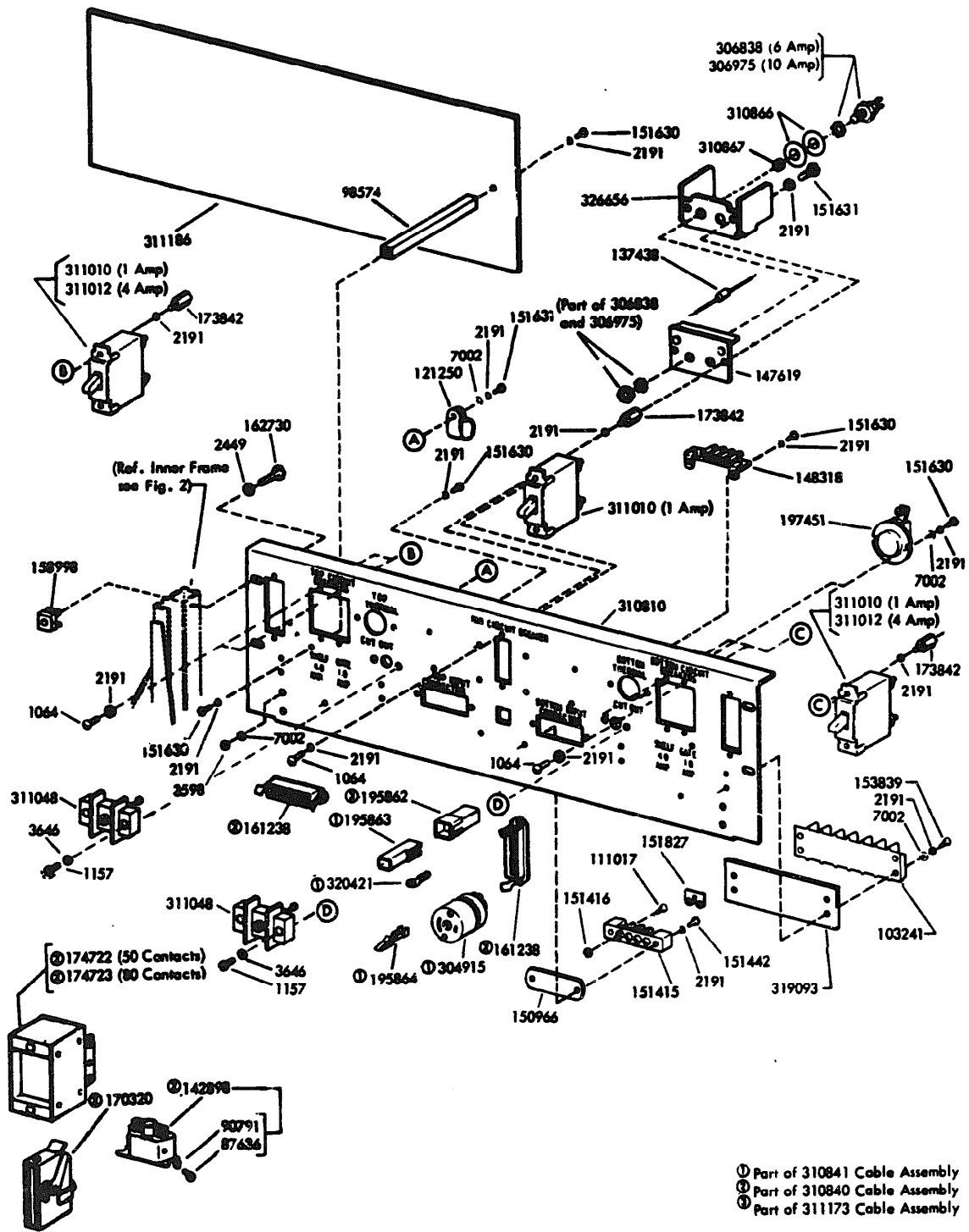


FIGURE 10. POWER PANEL

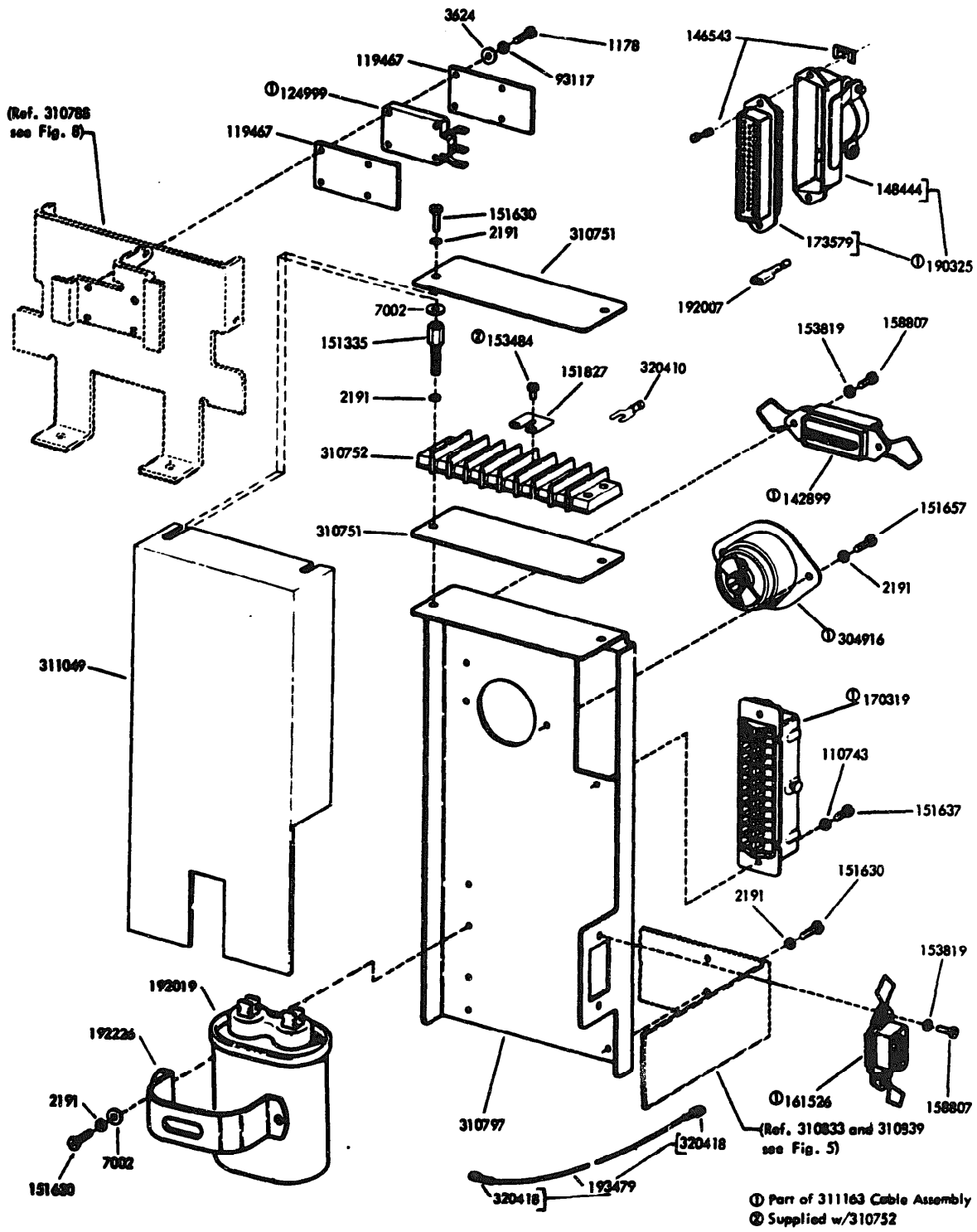


FIGURE 11. ELECTRICAL COMPONENTS

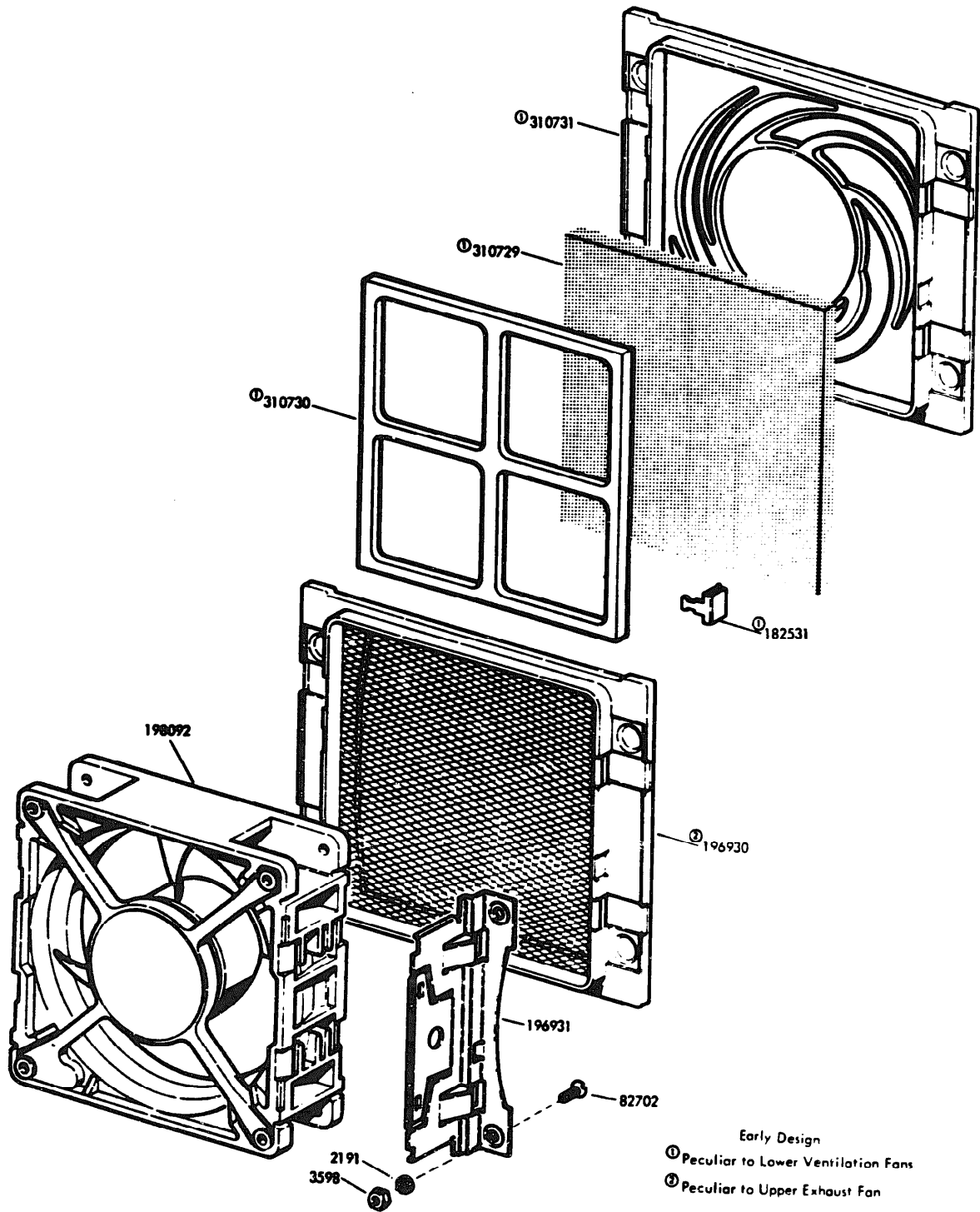


FIGURE 12. FANS

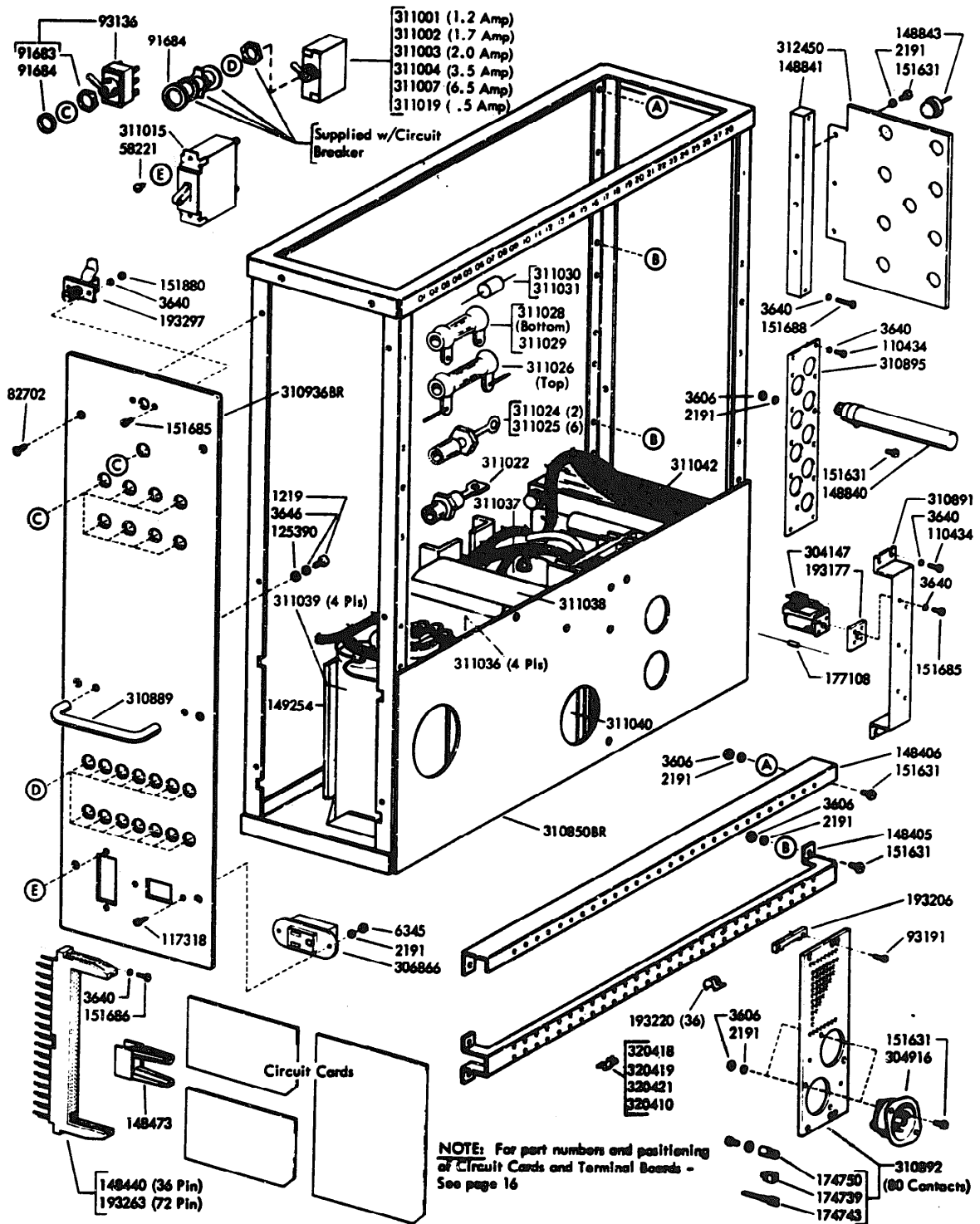


FIGURE 13. 310902BR PUNCH DRIVE - MODULE "C"

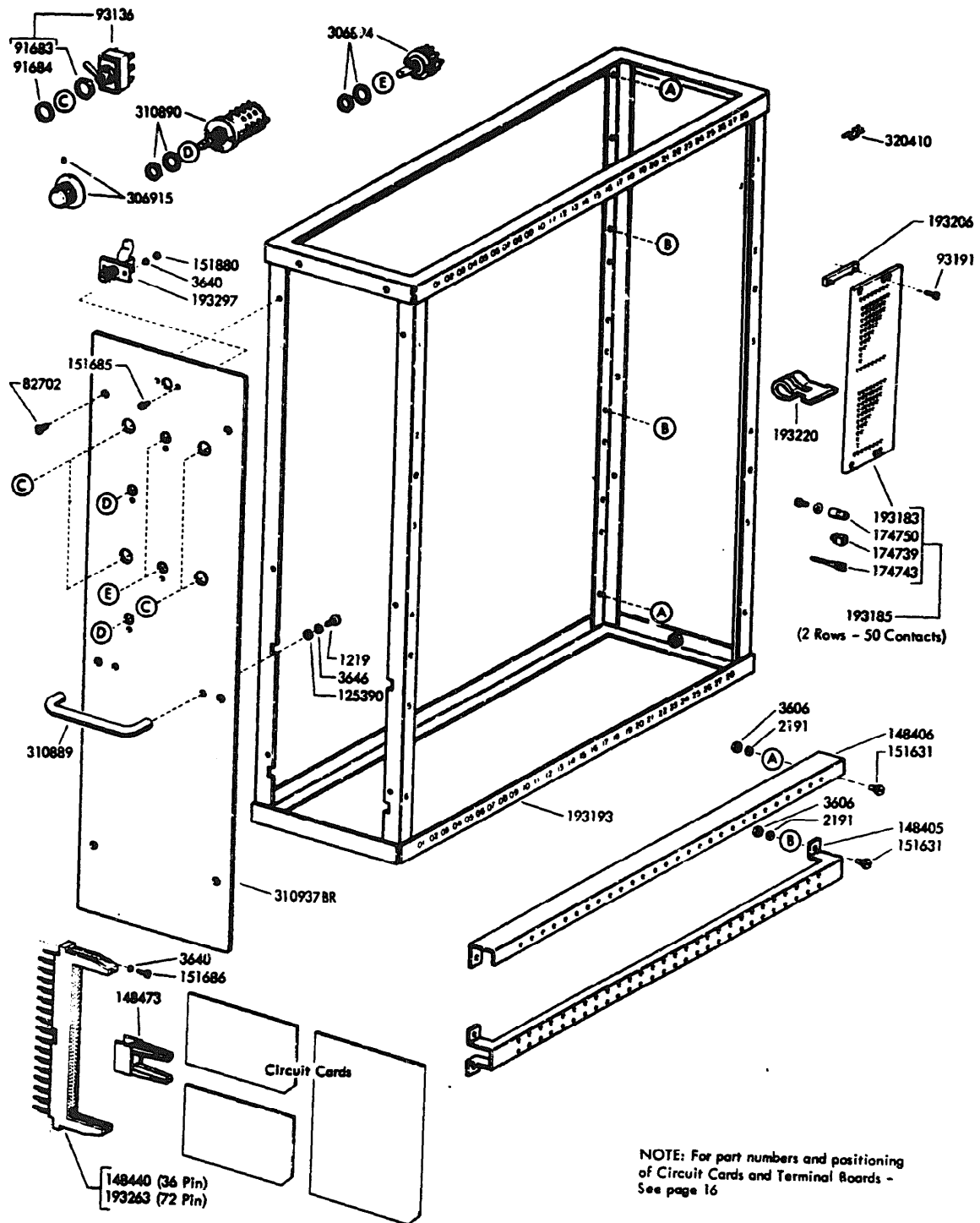


FIGURE 14. 319903BR RECEIVER CONTROL - MODULE "D"



3109028R - MODULE "C"

Position On Bracket														
Row	1	2	3	4	5	6	7	8	9	10	11	12	13	14
1								303687		303685		303685		303684
2														
3							303685	303697			303686		303626	
4														
5														
6														

3109028R - MODULE "C" (Continued)

Position On Bracket														
Row	15	16	17	18	19	20	21	22	23	24	25	26	27	28
1	303688	303685				303690	303730	303730	303730					
2														
3	303688	303685		149248	303730	303730	303730	303730	303730	303730				
4				149247										
5														
6														

3109038R - MODULE "D"

Position On Bracket														
Row	1	2	3	4	5	6	7	8	9	10	11	12	13	14
1			303686		303686		303685		303686		303686		303686	
2														
3			303685		303627		303688	149261					303685	
4														
5			303666		303686		303685		303686		303686		303686	
6														

3109038R - MODULE "D" (Continued)

Position On Bracket														
Row	15	16	17	18	19	20	21	22	23	24	25	26	27	28
1	303686		149243	303685		303685		303689	303689	303689	149244	177530	149252	
2												149248	149253	
3	303627		303688	149261										
4														
5	303686		149243	303685		303685		303689	303689	303689	149244	177530	149252	
6												149248	149253	

FIGURE 15. CIRCUIT CARD POSITIONING CHARTS

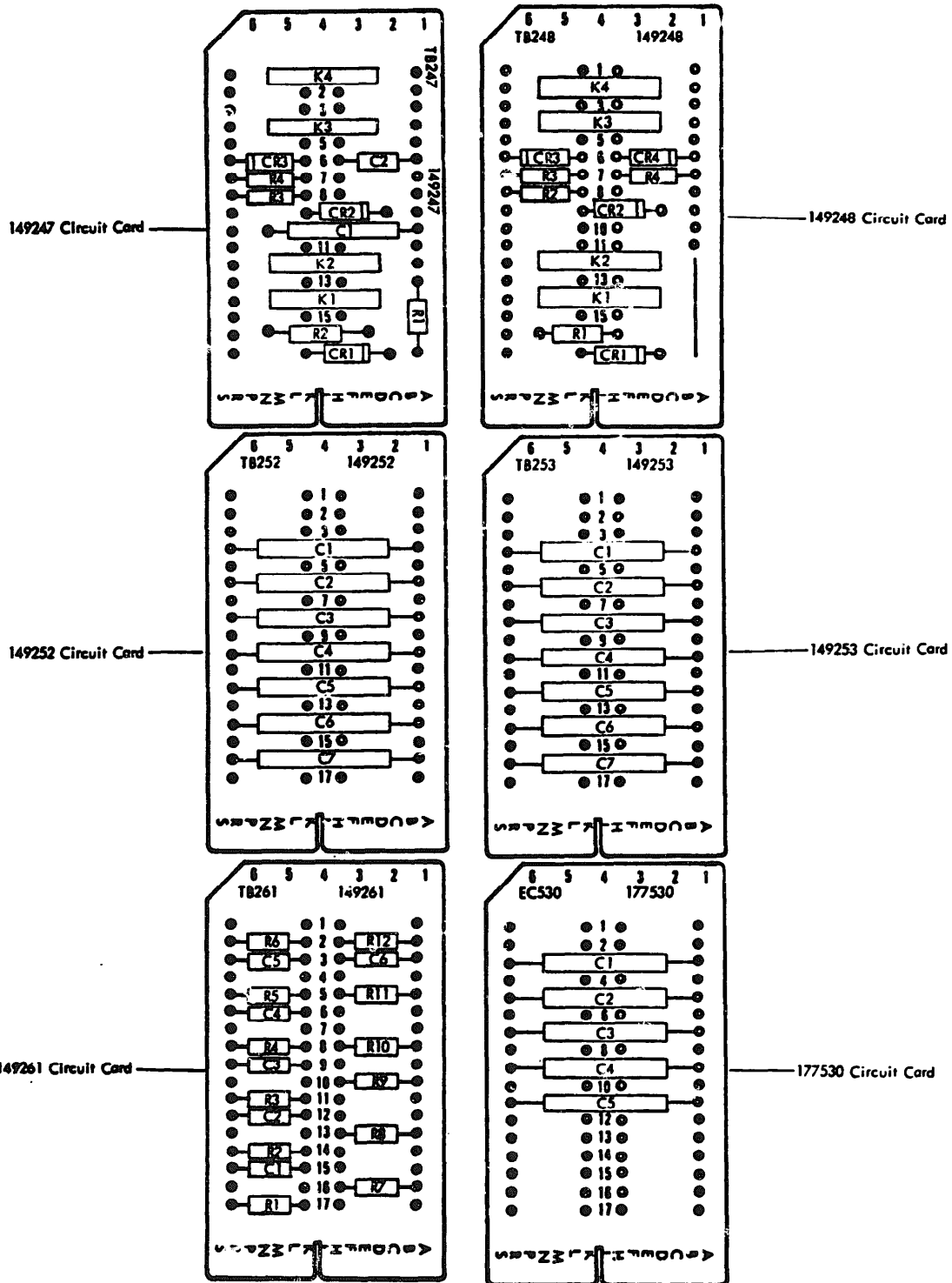
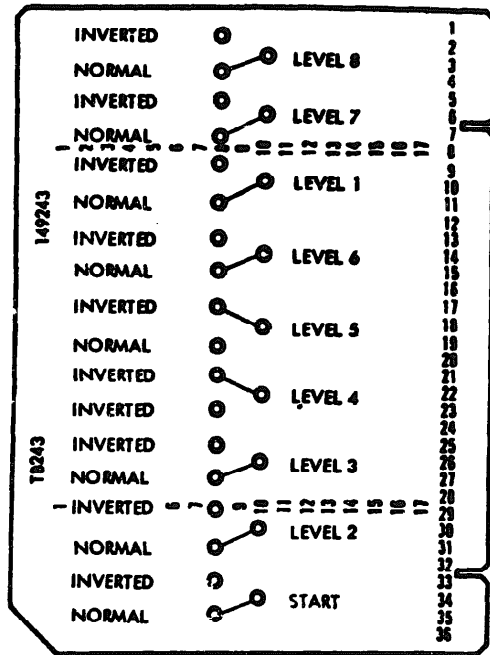
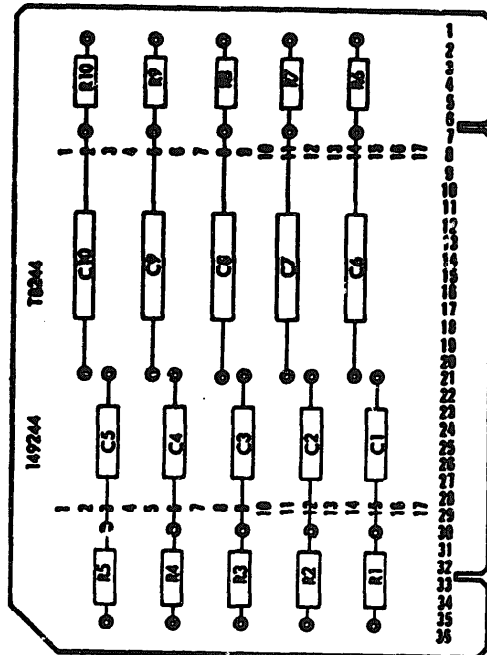


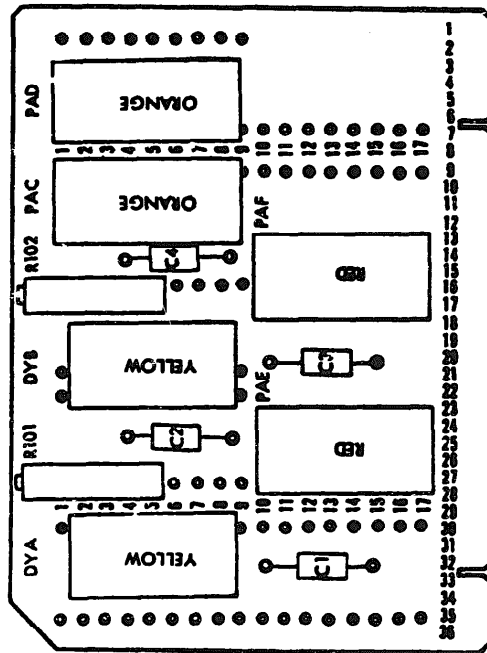
FIGURE 16. CIRCUIT CARD OUTLINE CHART



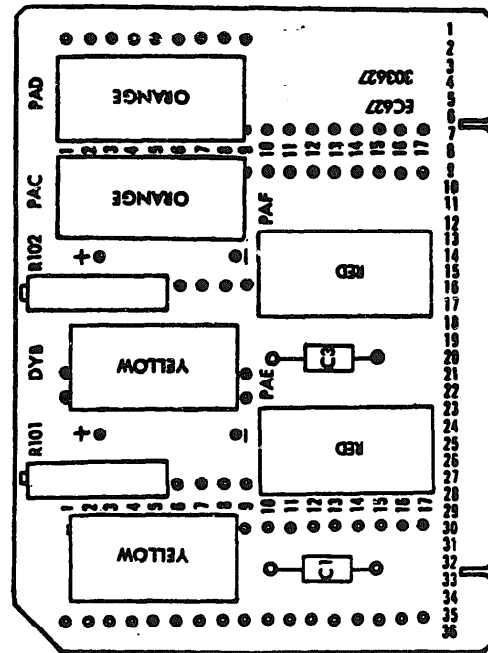
149243 Circuit Card



149244 Circuit Card

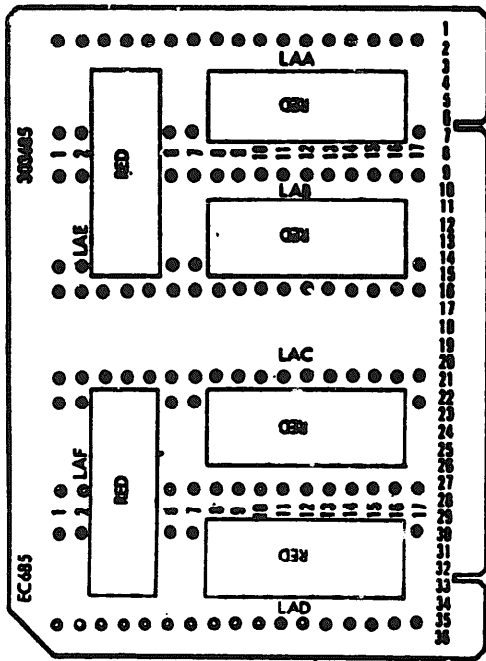


303626 Circuit Card

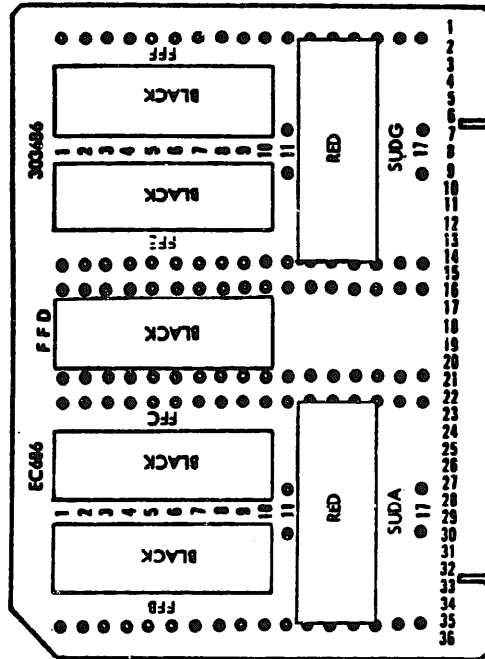


303627 Circuit Card

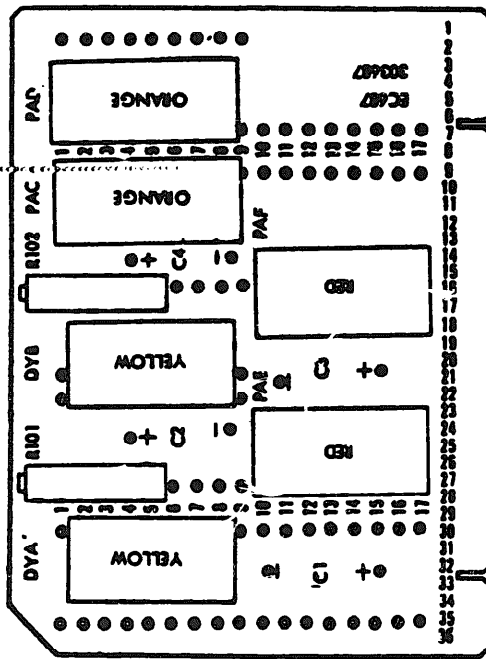
FIGURE 17. CIRCUIT CARD OUTLINE CHART (Continued)



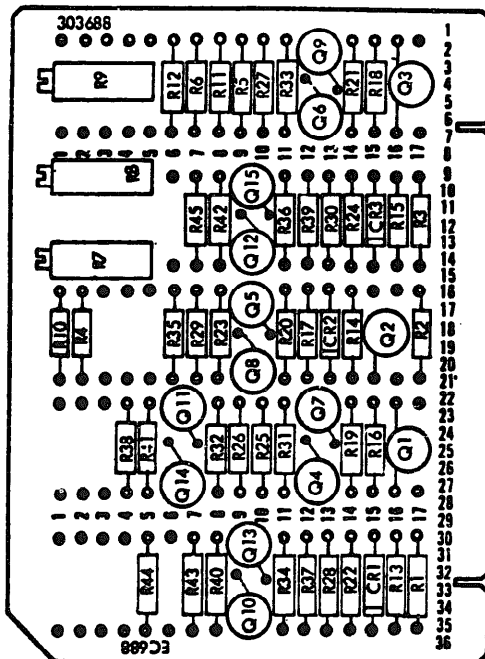
303685 Circuit Card



303686 Circuit Card

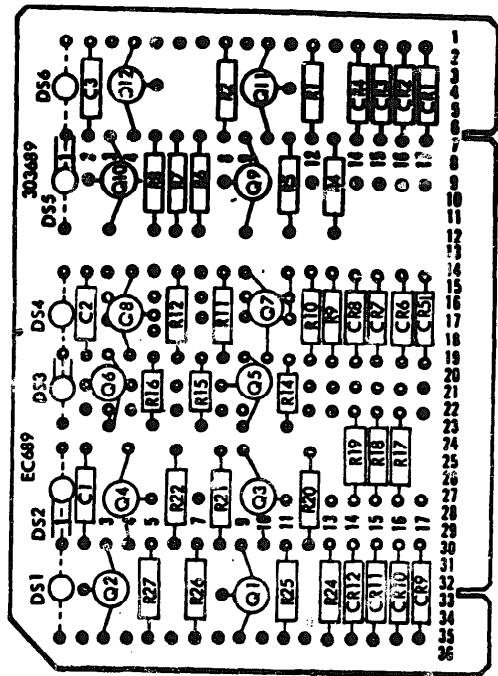


303687 Circuit Card

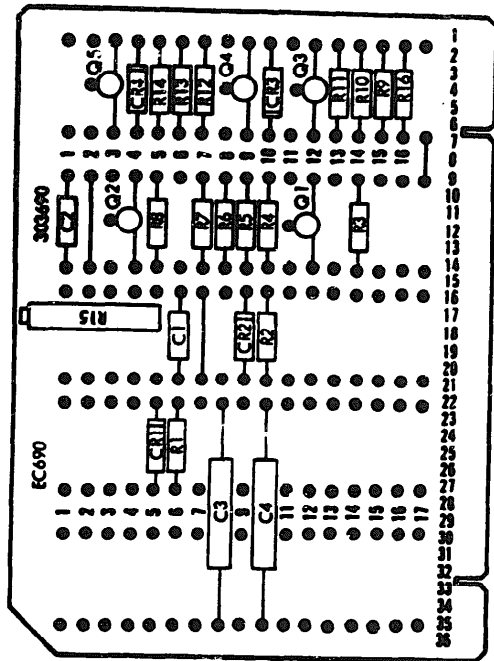


303688 Circuit Card

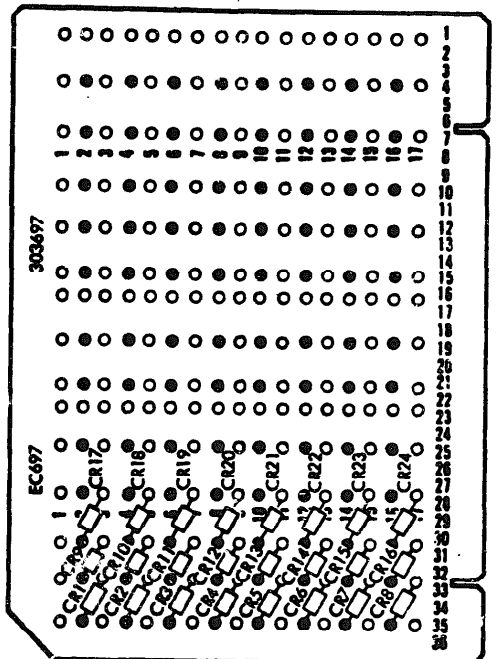
FIGURE 18. CIRCUIT CARD OUTLINE CHART (Continued)



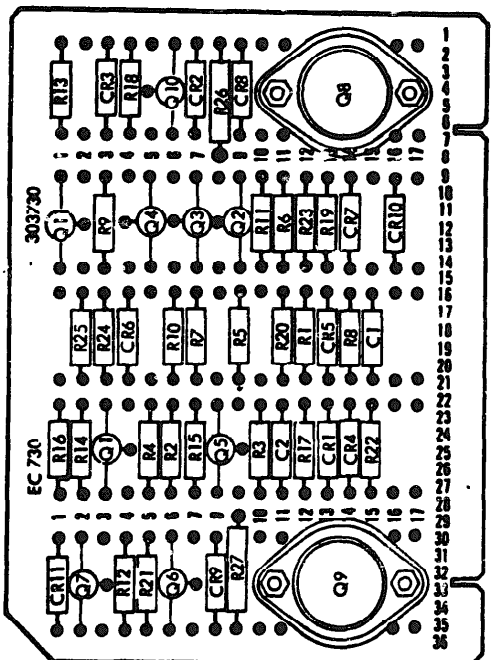
303689 Circuit Card



303690 Circuit Card



303697 Circuit Card



303730 Circuit Card

FIGURE 19. CIRCUIT OUTLINE CHART (Continued)

**NUMERICAL INDEX**

<b>Part Number</b>	<b>Description and Page Number</b>	<b>Part Number</b>	<b>Description and Page Number</b>	<b>Part Number</b>	<b>Description and Page Number</b>
1018	Screw, 3-48 x 5/16 Fl 7	90791	Lockwasher 4,7,11	124999	Switch, Sensitive 12
1064	Screw, 6-32 1/2 Rd 5,11	91593	Screw, 10-24 x 2-1/2 Rd 10	125002	Screw, 8-32 x 3/8 Flat 6
1157	Screw, 8-32 x 1/2 Fl 7,11	91683	Nut, 15/32 Hex 14,15	125013	Washer, Flat 7 to 10
1166	Screw, 4-36 x 1/4 Flat 4	91684	Nut, 15/32 Ring 14,15	825015	Washer, Flat 7
1170	Screw, 6-32 x 5/16 Flat 2	92146	Nut, 1/4-20 Hex 3	125100	Washer, Flat 2,6
1178	Screw, 2-56 x 7/16 Fl 12	93117	Lockwasher 12	125390	Washer, Flat 14,15
1219	Screw, 8-32 x 5/16 Fl 14,15	93136	Switch, DP-PT Toggle 14,15	125802	Washer, Flat 3
1253	Screw, 8-32 x 3/8 Rd 2	93191	Screw, 4-40 x 5/16 Flat 2,14,15	129381	Grommet, Rubber 3
1258	Screw, 10-32 x 1-3/8 Fl 10	97492	Nut, 10-24 Hex 10	150992	Screw, 4-40 Shoulder 9
1268	Screw, 6-40 x 5/16 Flat 6	97799	Screw, 6-40 x 9/64 Flat 3	139438	Resistor, 100 Ohm 11
2191	Lockwasher 2 to 15	98574	Post 11	142230	Suppressor, Electrical Noise 3
2263	Nut, 8-32 Hex 2	98725	Screw, 6-40 x 3/8 Flat 2,7	142898	Connector, 24 Pt Plug 11
2449	Lockwasher 2,3,5,11	101833	Screw, 8-32 x 5/16 Fl 3,5	142899	Connector, 24 Pt Receptacle 12
2669	Lockwasher 7,10	103081	Screw, 1/4-20 x 1/2 Fl 2	143613	Lamp, 14V Incandescent 4
3598	Nut, 6-40 Hex 2,6 to 9, 11,13	103241	Block, Terminal 3,5,11	144169	Ferrule 2
3606	Nut, 6-40 hex 2,6,14,15	104074	Screw, 10-32 x 1/2 Rd 3	144550	Screw, 6-40 Set 8
3624	Washer, Flat 12	105400	Bearing, Ball 8	145903	Mount, Vibration 8
3639	Lockwasher 6	107116	Lockwasher 6	146543	Screw Assembly 12
3640	Lockwasher 8,14,15	110434	Screw, 4-40 x 3/16 Fl 14	149588	Sleeve 7
3646	Lockwasher 2,6,7,8,11, 14,15	110435	Nut, 4-40 Hex 9	149619	Plate w/Terminal Strip 13
4708	Spring 6	110743	Lockwasher 3,7,9,10,12	148121	Tubing 6
5599	Nut, 8-32 Hex 6,7,8	111019	Screw, 6-40 x 5/16 Fl 11	148318	Board, Terminal 11
6345	Nut, 6-32 Hex 2,4,14	111345	Bolt 9	148365	Handle 2
6347	Screw, 6-32 x 3/8 Rd 2	111346	Spring, Compression 9	148405	Bracket 14,15
7002	Washer, Flat 2,3,5 to 9, 11,12	112626	Nut, 10-32 Hex 6,7,10	1484% 148440	Bracket 14,15
8185	Screw, 1/4-20 x 3/4 Fl 3	112801	Stud 3,5	148444	Connector, 36 Pt Circuit Card 14,15
34464	Spring 7	115594	Nut, 8-32 Speed 2	148473	Clamp, Cable 12
44048	Washer, Flat 7	117318	Screw, 6-32 x 17/64 Fl 14	148840	Guide, Circuit Card 14,15
45815	Lockwasher 2,7	119467	Insulator, .032" Thk 12	148841	Resistor, 5 Ohm 14
58221	Screw, 6-32 x 1/4 Fl 14	119649	Ring, Retaining 6	148841	Bar, Mounting 14
61085	Lockwasher 7	119650	Ring, Retaining 7	148843	Rectifier 14
70314	Washer, Flat 2,4,6,10	119651	Ring, Retaining 7,9	149243	Card, Circuit 16,18
70533	Spacer, .844" Thk 10	119652	Ring, Retaining 6	149244	Card, Circuit 16,18
71437	Washer, Flat 9	119653	Ring, Retaining 7	149249	Card, Circuit 16,17
74594	Ring, Retaining 2	119654	Ring, Retaining 7	149248	Card, Circuit 16,17
76099	Washer, Flat 2	121245	Clamp, 5/16" ID Cable 7	149252	Card, Circuit 16,17
76800	Spring 7	121246	Clamp, 3/8" ID Cable 4	149253	Card, Circuit 16,17
76862	Screw, 1/4-20 x 1 Rd 3	121248	Clamp, 1/2" ID Cable 6	149254	Card, Circuit 14
82702	Screw, 6-40 x 9/32 Flat 7,13,14,15	121249	Clamp, 5/8" ID Cable 3	149261	Card, Circuit 16,17
72787	Spring 9	121250	Clamp, 3/4" ID Cable 6,11	149736	Lever 7
74990	Screw, 6-40 x 1/4 Flat 7	121251	Clamp, 1" ID Cable 6	149739	Lever 7
87636	Screw, 2-56 x 3/16 Rd 4,7,11	123769	Fan, Motor 8	149748	Post 7
		124612	Screw, 8-32 x 1/2 Hex 2	149749	Roller, Tape Feed 7
				149763	Post 7
				149974	Switch, Mercury 7
				150966	Insulator, Terminal Block 11

## NUMERICAL INDEX (Continued)

Part Number	Description and Page Number	Part Number	Description and Page Number	Part Number	Description and Page Number
151335	Stud 12	159217	Bracket 6	192226	Bracket, Capacitor Mounting 12
151346	Screw, 6-40 x 3/8 Fil 6,9	159404	Post 5	193177	Spacer, Relay 14
151415	Block, Terminal 11	100758	Chain 6	193183	Plate, Connector 15
151416	Nut, 6-40 Hex 11	161087	Insulator, Terminal Block 3,5	193185	Plate Assembly, Connector 15
151442	Screw, 6-40 x 1/2 Hex 3,6,8,11	161238	Connector, 36 Pt Receptacle 11	193193	Frame 15
151572	Lockwasher 3	161239	Connector, 36 Pt Plug 4	193206	Spacer 14,15
151618	Screw, 6-40 x 7/16 Fil 6	161525	Connector, 14 Pt Plug 7	193220	Clip, Jumper 14,15
151630	Screw, 6-40 x 1/4 Hex 2, 3,5,6,8,9,11,12	161526	Connector, 14 Pt Receptacle 12	193263	Connector, 72 Pt Circuit Card 14,15
15631	Screw, 6-40 x 5/16 Hex 3,6,7,11,14,15	161705	Strike, Fastener 2	193297	Fastener, Adjustable 14,15
151632	Screw, 6-40 x 3/8 Hex 2, 6,8,10	161708	Latch, Magnetic 3,6	192479	Jumper, 12" Black 12
151637	Screw, 4-40 x 1/4 Fil 7,12	161747	Plate, Nut 2,3	194987	Screw, 8-32 x 3/8 Hex 6,7
151657	Screw, 6-40 x 1/4 Fil 6,9,12	162002	Screw, 1/4-20 Captive 2		
151659	Screw, 6-40 x 1/2 Fil 6,8	162730	Screw, 1/4-20 x 7/16 Hex 3,5,11	195213	Plate, Identification 2
151685	Screw, 4-40 x 5/16 Fil 14,15	162739	Bracket, Terminal Block 3	195862	Connector, 2 Pt Plug 11
151686	Screw, 4-40 x 3/8 Fil 3,14,15	163973	Plate, Nut 3,6	195863	Connector, 2 Pt Receptacle 11
151688	Screw, 4-40 x 5/8 Fil 14	164081	Spacer, .375" Thk 3	195864	Terminal 11
151691	Screw, 10-32 x 3/8 Fil 2	170314	Resistor, 3900 Ohm 34	196930	Grille 13
151724	Screw, 10-32 x 5/8 Hex 6	170319	Connector, 24 Pt Plug 12	196931	Clip 13
151827	Strap, Terminal 11,12	170320	Connector, 24 Pt Receptacle 11	197451	Thermostat 11
151880	Nut, 4-40 Hex 14,15	173464	Arm 2	198092	Fan 13
152441	Washer, Flat 7	173579	Connector, 50 Pt Plug Type 12	300094	Switch, Housing 4
152893	Screw, 4-40 x 1/4 Hex 8,9,10	173842	Stud 11	300153	Cover 4
153442	Screw, 10-32 x 1/2 Hex 10	173974	Screw, 10-32 x 5/16 Hex 7	300154	Housing 4
153484	Screw, 6-32 Spl 12	174456	Plate, Nut 3	300155	Horizontal Circuit, Front End 4
153537	Screw, 6-40 x 9/32 Hex 6	174722	Connector, 50 Pt Plug Type 11	300156	Diffuser, White 4
153539	Screw, 6-40 x 11/16 Hex 6	174723	Connector, 80 Pt Plug Type 11	300157	Diffuser, White Horizontal 4
153819	Lockwasher 12	174739	Insulator, White 14,15	300159	Switch, SP-DT 4
153839	Screw, 6-40 x 5/8 Hex 11	174743	Terminal, Plug Type 14,15	300161	Switch, SP-DT 4
154156	Grommet, Rubber 10	175750	Key Assembly, Locating 14,15	300162	Lens, Red 4
155753	Sleeve, 1/8 ID x 1/2" Lg Insulating 8	177108	Diode 14	300167	Clip, Indicator 4
156588	Ring, Retaining 8	177530	Card, Circuit 16,17	300168	Common Circuit, Front End 4
156768	Screw, 8-32 x 9/32 Hex 6	178412	Bushing 2	300664	Spring, Torsion 7
156901	Post, Eccentric 7	182531	Clip, Speed 13	300726	Spacer, .709" Thk 10
158649	Screw, 6-40 Thumb 9	190325	Connector, 50 Pt Receptacle 12	300727	Spacer 10
158720	Roller 6	192007	Terminal, Tab Type 12	300747	Rail, Right 10
158807	Screw, 3-48 x 11/64 Fil 12	192019	Capacitor, 3 MFD 12	300757	Damper, Left Vibration 10
158998	Retainer, Speed Nut 2,5,11	192081	Ring 10	300758	Damper, Right Vibration 10
		192082	Bushing 10	300760	Bracket, Left Punch Mounting 10
		192083	Washer, Flat 10	300761	Rail, Left 10
				301190	Plate, Nut 7

NUMERICAL INDEX (Continued)

Part Number	Description and Page Number	Part Number	Description and Page Number	Part Number	Description and Page Number
301612	Rod 7	310781	Lever, Pivot 9	310847BR	Frame, Top 2
303626	Card, Circuit 16,18	310782	Bracket, Pivot 9	310848	Bracket, Mounting 6
303627	Card, Circuit 16,18	310783	Hinge 9	310849BR	Door, Upper Right 2
303685	Card, Circuit 16,19	310784	Plate 9	310850BR	Power Supply 14
303686	Card, Circuit 16,19	310785	Plate, Nut 9	310866	Washer, Insulating 11
303687	Card, Circuit 16,19	310786	Sleeve, Chad Box 9	310867	Bushing, Insulating 11
303688	Card, Circuit 16,19	310788	Plate w/Bracket 9,12	310889	Handle 14,15
303689	Card, Circuit 16,20	310789	Plate 9	310890	Switch, Rotary 15
303690	Card, Circuit 16,20	310790	Plate 8	310891	Bracket, Relay 14
303697	Card, Circuit 16,20	310791	Bracket 8	310892	Connector Assembly 14
303730	Card, Circuit 16,20	310792	Guard, Belt 8	310895	Bracket, Resistor 14
304147	Relay 14	310793	Casing, Fan Wheel 8	310902BR	Module "C" 1,14,16
304649	Screw, #32 x 1/2 Oval 4	310794	Tray, Chad Box 9	310903BR	Module "D" 1,15,16
304915	Connector, 2 Pt Receptacle 11	310795	Cover, Chad Box 9	310936BR	Plate, Front 14
304916	Connector, 2 P: Plug 12,14	310796	Box, Chad 9	310937BR	Plate, Front 15
305056	Plate, Identification 2	310797	Plate, Mounting 12	310965	Lens 4
306838	Trisc 11	310800	Shim, .032" Thk 6	310966	Lens 4
306866	Connector, 3 Pt Plug 14	310801	Motor 8	310968	Lens 4
306894	Switch, 4 Pole 15	310802	Cover, Duct 2	310969	Lens 4
306915	Dial 15	310804	Plate, Duct 2	310971	Lens 4
306975	Trisc 11	310805	Cover Assembly 7	310972	Lens 4
307789	Hinge, Left 2	310807	Panel 4	310973	Lens 4
307791	Hinge 2	310808	Handle, Cover 4	310974	Lens 4
310729	Filter, Air 13	310809	Plate, Mounting 6,7	310975	Lens 4
310730	Support, Filter 13	310810	Plate, Mounting 11	310976	Lens 4
310731	Grille 13	310812	Bracket, Left 6	310988	Resistor, 150 Ohm 4
310751	Insulator, Terminal Block 12	310813	Rail, Left 3	311001	Breaker, Circuit 14
310752	Block, Terminal 12	310814	Rail, Right 3	311002	Breaker, Circuit 14
310753	Slide, Left 6	310815	Bracket, Switch 5	311003	Breaker, Circuit 14
310754	Slide, Right 6	310816	Cover 5	311004	Breaker, Circuit 14
310755BR	Panel, Right 2	310818	Plate, Mounting 10	311007	Breaker, Circuit 14
310756BR	Panel, Right 2	310822BR	Modification Kit 2	311010	Breaker, Circuit 11
310761BR	Door, Right Rear 2	310823BR	Modification Kit 2	311012	Breaker, Circuit 11
310762BR	Door, Left Rear 2	310824BR	Modification Kit 2	311014	Breaker, Circuit 5
310767	Pulley, V Belt 8	310826	Cable Assembly 4	311015	Breaker, Circuit 14
301768	Pulley, V Belt 8	310827	Cable Assembly 4	311019	Breaker, Circuit 14
310770	Shaft 9	310829	Bracket, Front 3	311022	Diode 14
310771	Link 9	310830	Bracket, Rear 3	311024	Diode 14
310772	Lever 9	310833	Pan, Mounting 6,9,12	311025	Diode 14
310773	Shaft 8	310834	Container, Tape 7	311026	Resistor, 40 Ohm 14
310774	Block, Bearing 8	310835	Motor 7	311028	Resistor, 3 Ohm 14
310775	Strip, Clamp 8	310836	Belt, 150T Timing 7	311029	Resistor, 150 Ohm 14
310776	Plate, Bearing Clamp 8	310838	Cable w/Terminals 3	311030	Resistor, 75 Ohm 14
310777	Plate, Motor 8	310839	Pan, Mounting 6,12	311031	Resistor, 91 Ohm 14
310778	Bracket 8	310840	Cable Assembly 11	311036	Capacitor, 5200 MFD 14
310779	Bracket 8	310841	Cable Assembly 11	311037	Capacitor, 12,500 MFD 14
310780	Plate, Latch 9	310842	Guide 3	311038	Capacitor, 6 MFD 14
		310844	Coverplate 2	311039	Capacitor, 35,000 MFD 14
		310846BR	Channel, Duct 2	311040	Capacitor, 28,000 MFD 14
			Cover 2	311042	Transformer 14



**NUMERICAL INDEX (Continued)**

<b>Part Number</b>	<b>Description and Page Number</b>	<b>Part Number</b>	<b>Description and Page Number</b>	<b>Part Number</b>	<b>Description and Page Number</b>
311048	<b>Block, Terminal 11</b>	311159	<b>Guide, Tape 7</b>	311187	<b>Decalcomania 7</b>
311049	<b>Cover, Insulating 12</b>	311160	<b>Roller 7</b>	311188	<b>Decalcomania 7</b>
311121BR	<b>Door, Lower Right Front 2</b>	311161	<b>Shaft 7</b>	312450	<b>Plate, Diode 14</b>
311122BR	<b>Door, Front Lower Left 2</b>	311162	<b>Bracket, Tape Roller 7</b>	312742	<b>Belt, V 8</b>
311123	<b>Hinge, Bottom 2</b>	311163	<b>Cable Assembly 12</b>	317315	<b>Lever 7</b>
311124	<b>Hinge, Top 2</b>	311164	<b>Switch, SP-DT 4</b>	318981	<b>Guide 2</b>
311128	<b>Plate, Strike 2</b>	311165	<b>Frame, Tape Unwinder 6</b>	318982	<b>Guide, Tape 6</b>
311129BR	<b>Grille 2</b>	311166	<b>Guide, Tape 6</b>	318984	<b>Bracket 6</b>
311130	<b>Bracket, Left Tie Bar 3</b>	311167	<b>Stud 6</b>	318985	<b>Lever 6</b>
311131	<b>Bracket, Right Tie Bar 3</b>	311169BR	<b>Door 2</b>	318987	<b>Strap, 3-1/2" Braided 6</b>
311132	<b>Driver, Roller 7</b>	311170BR	<b>Door 2</b>	318988	<b>Retainer, Lower 7</b>
311134	<b>Pulley, 38T 7</b>	311171	<b>Window, Lower Left 2</b>	318989	<b>Retainer, Upper 7</b>
311136	<b>Pulley, 16T 7</b>	311172	<b>Window, Upper Left 2</b>	319093	<b>Insulator, Terminal Block 11</b>
311137	<b>Arm 7</b>	311193	<b>Cable Assembly 11</b>	320410	<b>Terminal, Spade Type 12,14,15</b>
311138	<b>Plate, Latch 7</b>	311195	<b>Arm, Left Hinge 6</b>	320418	<b>Terminal, Ring Type 3,4, 8,12,14</b>
311139	<b>Latch, Door 7</b>	311176	<b>Arm, Right Hinge 6</b>	320419	<b>Terminal, Ring Type 14</b>
311140	<b>Plate, Mounting 7</b>	311199	<b>Bracket, Hinge 6</b>	320420	<b>Terminal, Ring Type 3,6</b>
311141	<b>Door, Tape Container 7</b>	311178	<b>Guide, Tape 2</b>	320421	<b>Terminal, Ring Type 14</b>
311142	<b>Bracket, Hinge 7</b>	311179	<b>Shaft, Hinge 6</b>	326656	<b>Bracket 11</b>
311149	<b>Bar, Tie 3</b>	311180	<b>Bracket, Clip 2</b>	336699	<b>Chain 6</b>
311154	<b>Chute, Tape 10</b>	311182	<b>Window, Right Side 2</b>		
311157	<b>Tubing, 8" Lg 8</b>	311186	<b>Insulator, .093" Thk 11</b>		

**HIGH SPEED TAPE READER (DX)**

**PARTS**

<b>FIGURE</b>	<b>CONTENTS</b>	<b>PAGE</b>
1	Base Components and Motor	2
2	Code Reading Contacts	3
3	Top Plate Mechanism	4
4	Tape Stepper Mechanism	5
5	Hysteresis Clutch Mechanism	6
	Numerical Index	7

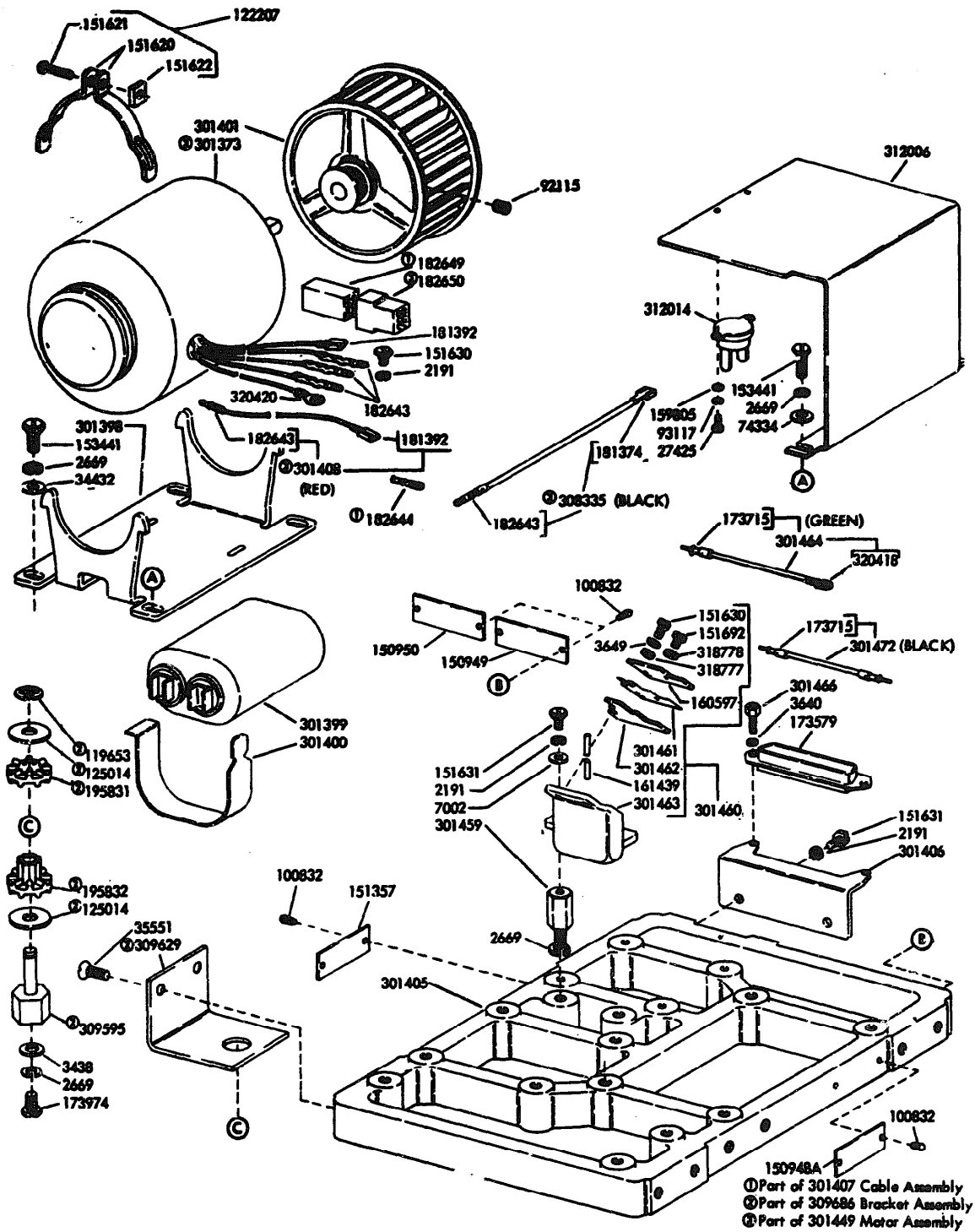


FIGURE 1. BASE COMPONENTS AND MOTOR

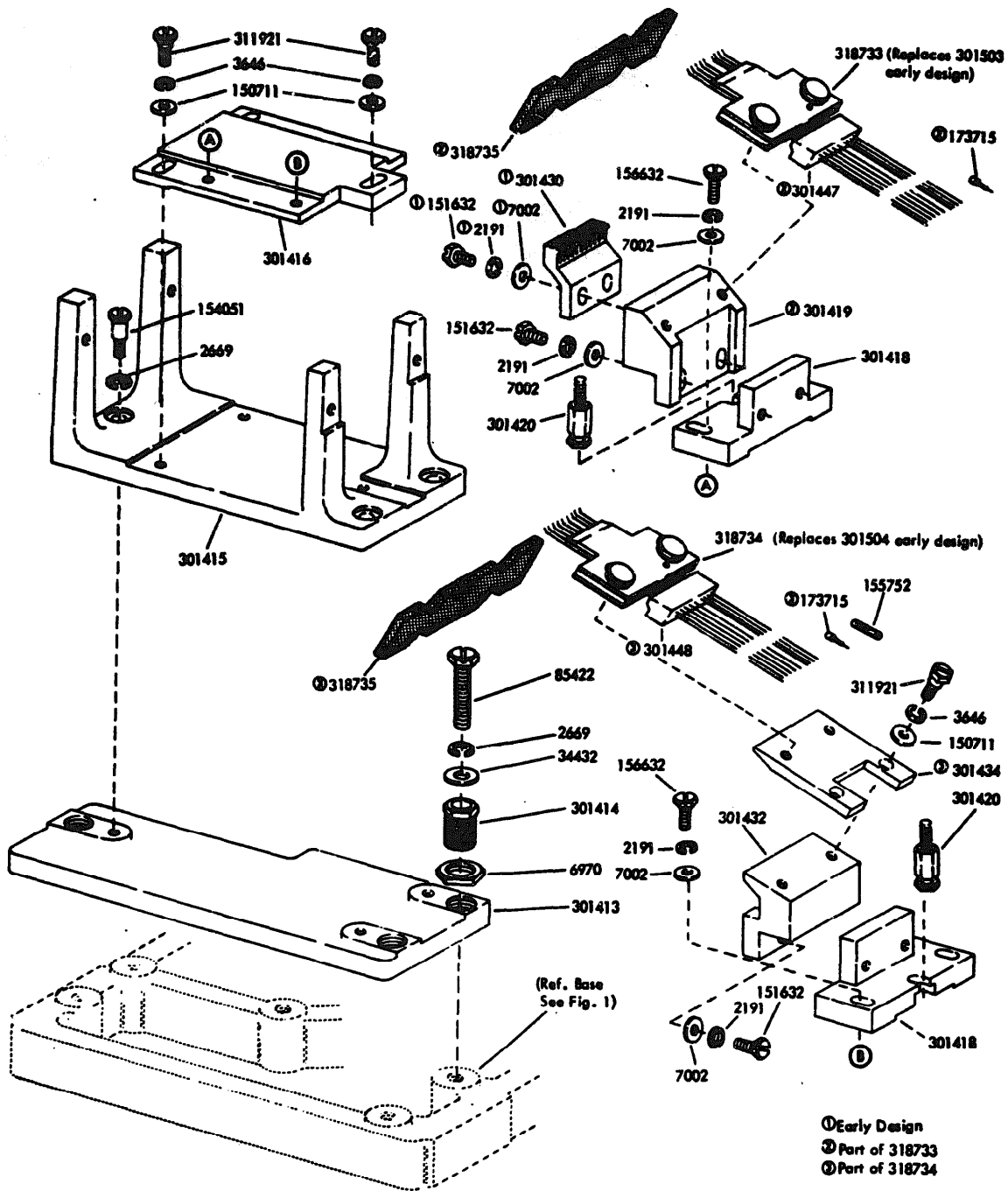


FIGURE 2. CODE READING CONTACTS

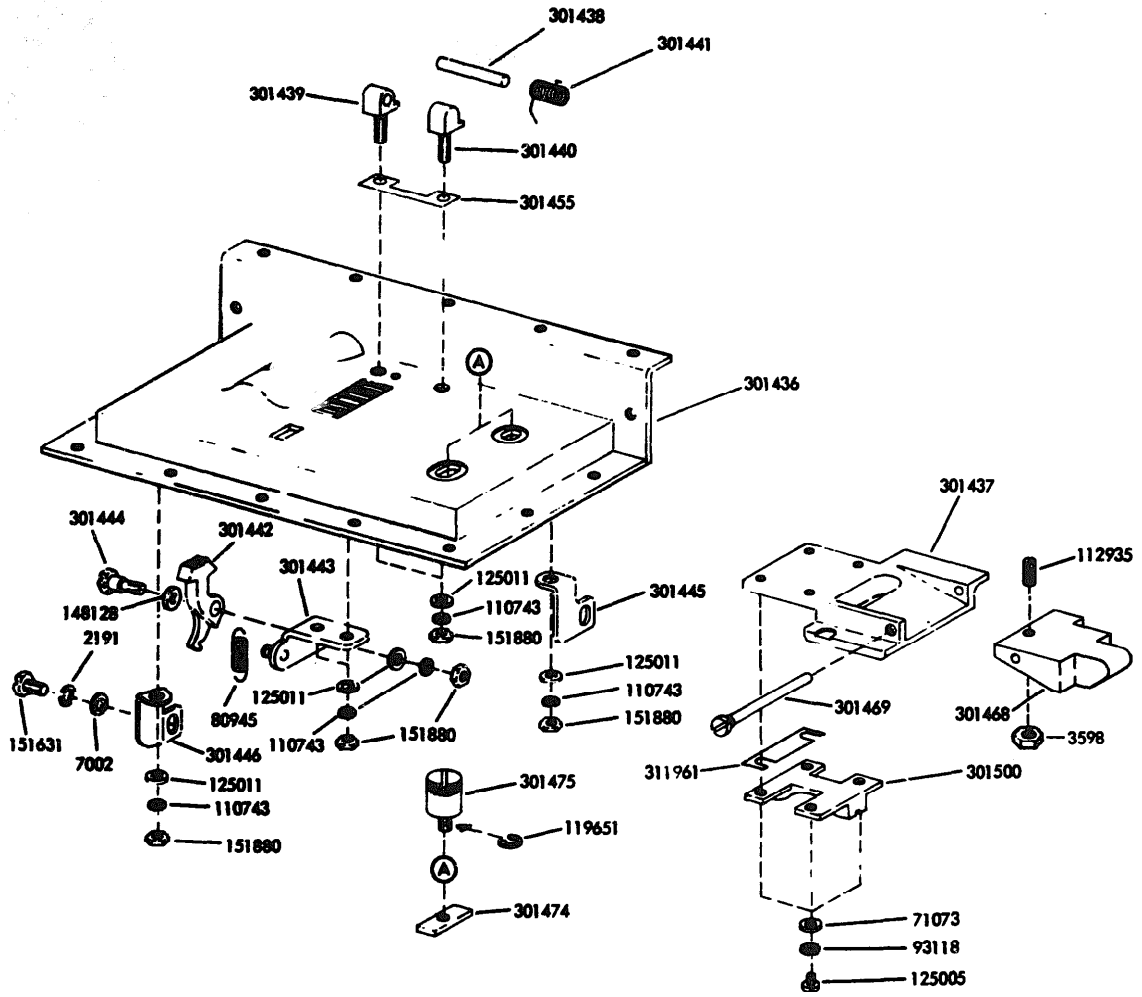


FIGURE 3. TOP PLATE MECHANISM

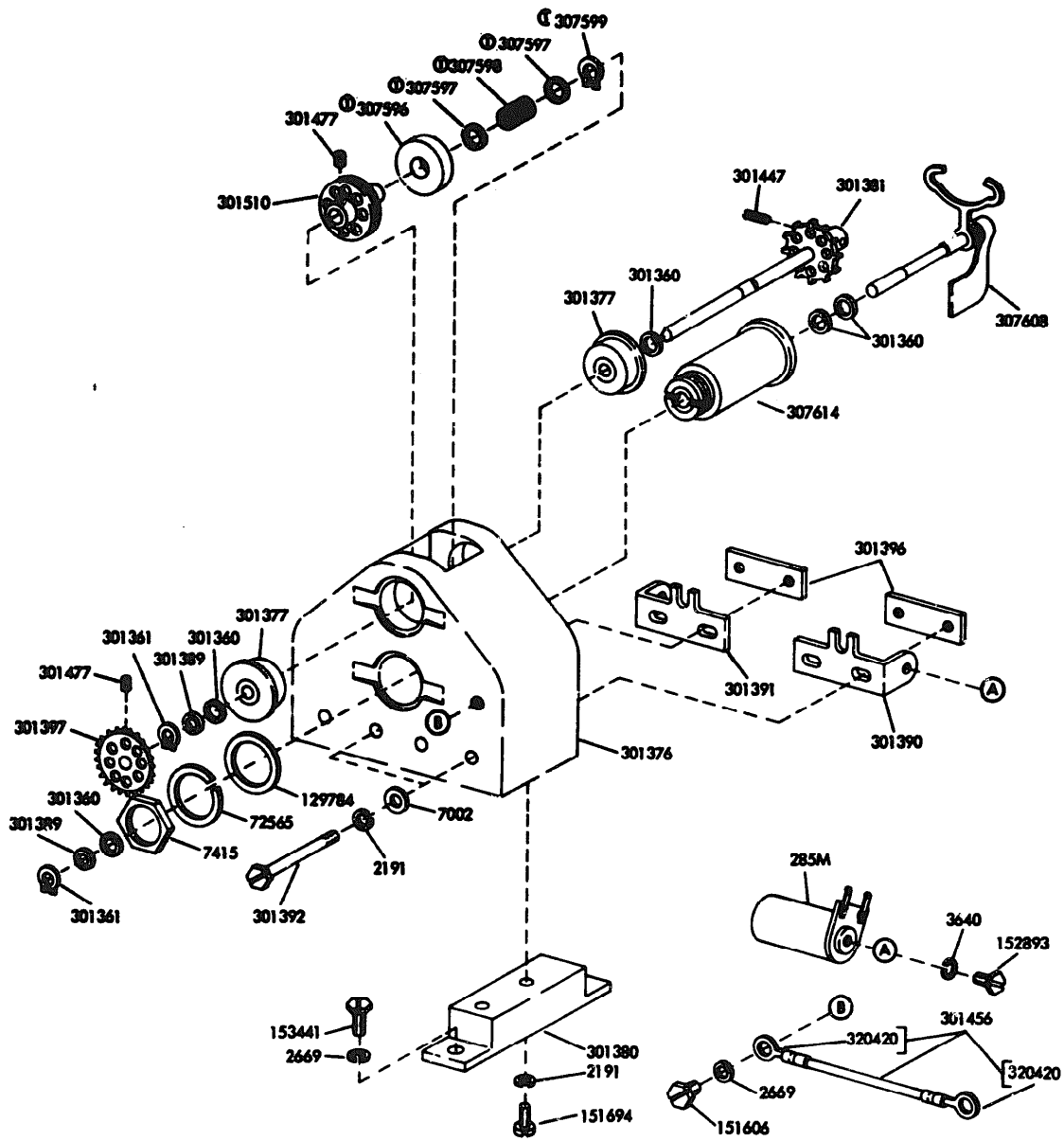


FIGURE 4. TAPE STEPPER MECHANISM

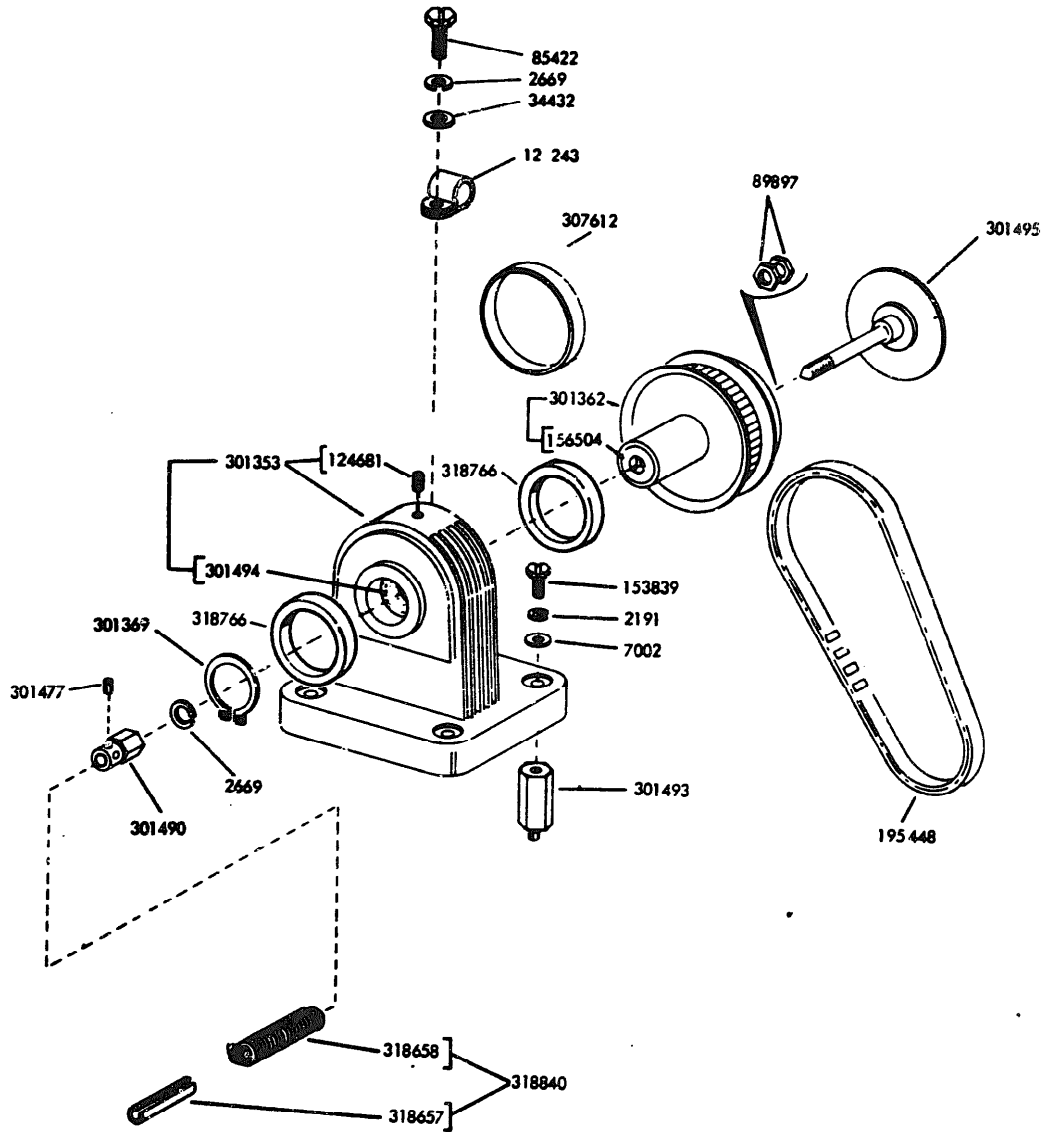


FIGURE 5. HYSTERESIS CLUTCH MECHANISM

NUMERICAL INDEX

Part Number	Description and Page Number	Part Number	Description and Page Number	Part Number	Description and Page Number
285M	Coil, Magnet 5		Bearing, Ball 6	301441	Spring, Torsion 4
2191	Washer, Lock 2 to 6	156632	Screw, 6-40 x 13/32 Hex 3	301442	Latch 4
2669	Washer, Lock 2,3,5,6	159805	Washer, Flat 2	301443	Bracket, Latch 4
3438	Washer, Flat 2	160597	Plate 2	301444	Post, Eccentric 4
3398	Nut, 6-40 Hex 4	161439	Wick, Felt 2	301445	Bracket, Right Top Plate 4
3640	Washer, Lock 2,5	173579	Connector, 50 Pt Plug Type 2	301446	Bracket, Left Top Plate 4
3645	Washer, Lock 3	173715	Terminal, Plug Type 2,3	301447	Filter, Code Reading 3,5
3649	Washer, Flat 2	173974	Screw, 10-32 x 5/16 Hex 2	301448	Filter, Verifying 3
6970	Nut, 3/8-32 Hex 3	181374	Terminal, Tab Type 2	301449	Motor Assembly 2
7002	Washer, Flat 2 to 6	181392	Terminal, Tab Type 2	301455	Shim, .002" Thk 4
7415	Nut, 1/2 x 32 Hex 5	182643	Terminal, Plug Type 2	301456	Strap, 2-1/2" Braided 5
27425	Screw, 2-56 x 5/32 Fil 2	182644	Terminal, Receptacle Type 2	301459	Stud 2
34432	Washer, Flat 2,3,6	182649	Connector, 6 Pt Receptacle Type 2	301460	Reservoir Assembly 2
35551	Screw, 10-32 x 3/8 Flat 2		Connector, 6 Pt Plug Type 2	301461	Stiffener 2
71073	Washer, Flat 4	182650	Belt, SST 6	301462	Wick, Leather 2
72565	Washer, Lock 5	195448	Ring, Rubber 2	301463	Reservoir, Oil 2
74334	Washer, Flat 2	195831	Bushing 2	301464	Jumper, 2-1/2" Green 2
80945	Spring 4	195832	Clutch, Housing 6	301466	Screw, 4-40 Spl 2
85422	Screw, 12-32 x 15/16 Hex 3,6	301353	Space 5	301468	Pail, Tangled Tape 4
89895	Nut, 10-32 Hex 6	301360	Ring, Grip 5	301469	Screw, 6-40 Pilot 4
92115	Screw, 8-32 Set 2	301361	Hub, Clutch 6	301472	Jumper, 2" Black 2
93117	Washer, Lock 2	301362	Ring, Grip 6	301474	Plate, Nut 4
93118	Washer, Lock 4	301369	Motor, 115V 60 Cycle 2	301475	Stud 4
100832	Screw, #0 x 3/16 Drive 2	301373	Block, Stepper 5	301477	Screw, 4-40 Set 5,6
110743	Washer, Lock 4	301376	Bearing 5	301490	Bushing 6
112935	Screw, 6-40 Set 4	301377	Strap, Mounting 5	301493	Post 6
119651	Ring, Retaining 4	301380	Shaft, Escapement 5	301494	Wick, Felt 6
119653	Ring, Retaining 4	301381	Washer, Plastic 5	331495	Shaft 6
121243	Clamp, 3/16 ID Cable 6	301389	Yoke, Right 5	301500	Insert, Guide 4
122207	Strap Assembly 2	301390	Yoke, Left 5	301510	Driver w/Liner 5
124681	Screw, 6-40 Set 6	301391	Screw, 6-40 x 1-1/2 Hex 5	307596	Follower w/Bearing 5
125005	Screw, 2-56 x 3/16 Rd 4	301392	Plate, Nut 5	307597	Washer, Flat 5
125011	Washer, Flat 4	301394	Wheel, Feed 5	307598	Spring, Compression 5
125014	Washer, Flat 7	301397	Bracket, Motor 2	307599	Ring, Grip 5
129784	Washer, Flat 5	301398	Capacitor, 5 MFD 2	307600	Damper Assembly 5
148123	Washer, Flat 4	301399	Bracket, Capacitor 2	307608	Pallet, Escapement 5
150711	Washer, Flat 3	301400	Fan 2	307612	Band 6
150948A	Plate 2	301401	Base 2	307614	Bearing 5
150949	Plate, Serial 2	301405	Bracket, Connector 2	308335	Jumper, 5" Black 2
150950	Plate, Code 2	301406	Cable Assembly 2	309595	Post 2
151357	Plate, Patent 2	301407	Jumper, 6" Red 2	309629	Bracket 2
151606	Screw, 10-32 x 1/4 Hex 5	301408	Plate, Adjusting 3	309686	Bracket Assembly, Mounting 2
151620	Strap, Motor Mounting 2	301413	Bushing 3	311921	Screw, 6-40 Shoulder 3
151621	Screw, 6-32 x 3/4 Rd 2	301414	Frame 3	311961	Shim, .002" Thk 4
151622	Nut, 6-32 Sq 2	301415	Plate, Adjusting 3	312006	Cover, Shield 2
151630	Screw, 6-40 x 1/4 Hex 2	301416	Support, Pedestal 3	312014	Thermostat 2
151631	Screw, 6-40 x 5/16 Hex 2,4	301418	Pedestal, Front 3	318657	Dumper 3
151632	Screw, 6-40 x 3/8 Hex 3	301419	Screw, 6-40 Adjusting 3	318658	Spring, Drive 6
151692	Screw, 6-40 x 3/16 Fil 2	301429	Guide, Contact 2	318733	Contact Assembly 3
151694	Screw, 6-40 x 1/32 Fil 5	301430	Pedestal, Rear 3	318734	Contact Assembly 3
151988	Nut, 6-40 Hex 4	301433	Plate, Extension 3	318735	Shield 3
152893	Screw, 6-40 x 1/4 Hex 5	301434	Plate, Top 4	318766	Spacer 6
153441	Screw, 10-32 x 7/16 Hex 2,5	301436	Lid, Tape 4	318777	Washer, .365" OD Sealing 2
153839	Screw, 6-40 x 3/8 Hex 6	301437	Shaft 4	318778	Washer, .437" OD Sealing 2
154051	Sleeve, 5/64 ID x 1/2" Lg	301438	Retainer, Shaft 4	318840	Spring Assembly, Drive 6
155752	Insulating 3	301439	Retainer, Shaft 4	320418	Terminal, Ring Type 2
		301440		320420	Terminal, Ring Type 2, 5



**END**

**11-19-82**

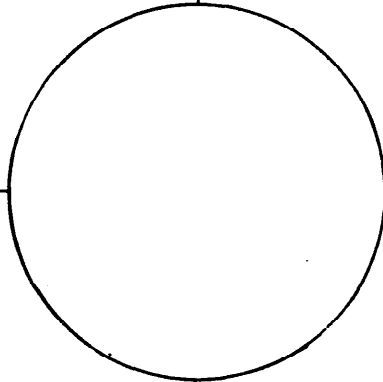
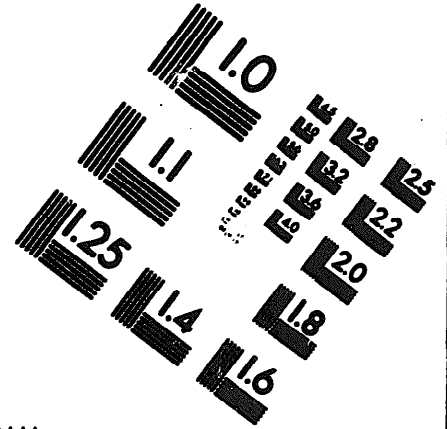
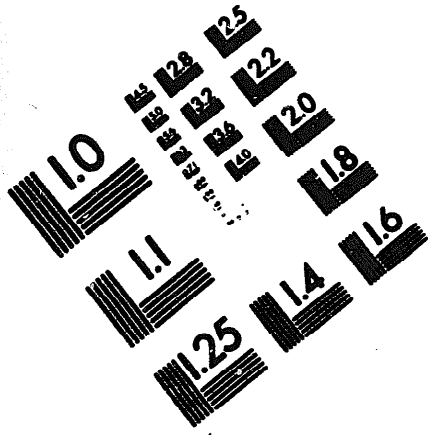
**DATE**





DEPARTMENT OF THE ARMY

MICROFORM  
TEST TARGET



150 MM

1.0 mm (e= .81 mm)

ABCDEFGHIJKLMN OPQRSTUVWXYZ 1234567890  
abcdefghijklmnopqrstuvwxyz \$%& /%# 1/2 1/4 3/4 —+ x&@\*

1.5 mm (e= 1.09 mm)

ABCDEFGHIJKLMN OPQRSTUVWXYZ 1234567890  
abcdefghijklmnopqrstuvwxyz \$%& /%# 1/2 1/4 3/4 —+ x&@\*

2.0 mm (e= 1.37 mm)

ABCDEFGHIJKLMN OPQRSTUVWXYZ  
abcdefghijklmnopqrstuvwxyz  
1234567890 \$%& /%# 1/2 1/4 3/4 —+ x&@\*

2.5 mm (e= 1.77 mm)

ABCDEFGHIJKLMN OPQRSTUVWXYZ  
abcdefghijklmnopqrstuvwxyz  
1234567890 \$%& /%# 1/2 1/4 3/4 —+ x&@\*

1.0 mm (e= .81 mm)

ABCDEFGHIJKLMN OPQRSTUVWXYZ 1234567890  
abcdefghijklmnopqrstuvwxyz \$%& /%# 1/2 1/4 3/4 —+ x&@\*

1.5 mm (e= 1.09 mm)

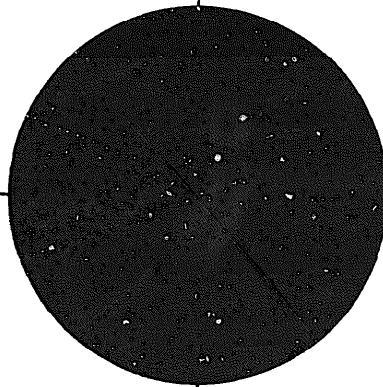
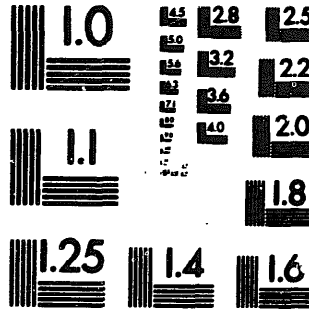
ABCDEFGHIJKLMN OPQRSTUVWXYZ 1234567890  
abcdefghijklmnopqrstuvwxyz \$%& /%# 1/2 1/4 3/4 —+ x&@\*

2.0 mm (e= 1.37 mm)

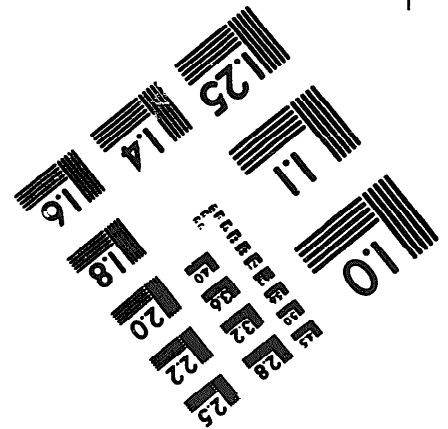
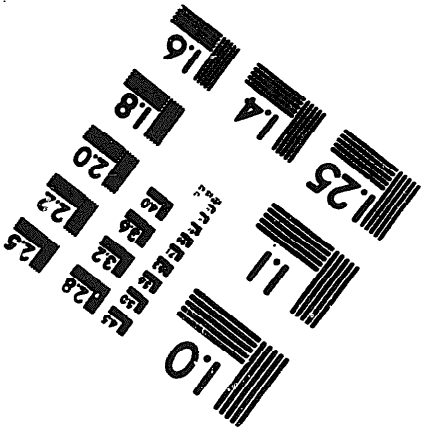
ABCDEFGHIJKLMN OPQRSTUVWXYZ  
abcdefghijklmnopqrstuvwxyz  
1234567890 \$%& /%# 1/2 1/4 3/4 —+ x&@\*

2.5 mm (e= 1.77 mm)

ABCDEFGHIJKLMN OPQRSTUVWXYZ  
abcdefghijklmnopqrstuvwxyz  
1234567890 \$%& /%# 1/2 1/4 3/4 —+ x&@\*



200 MM



250 MM

TM 11-5815-365-14-3  
NAVELEX 0967-426-4011  
TO 31W4-2FG-1351-6  
C1

Change }  
No.1 }

**DEPARTMENTS OF THE ARMY  
THE NAVY, AND THE AIR FORCE  
Washington, DC 30 April 1974**

**High Speed Tape Sender and Receiver Sets**

**for**

**MULTIPLE ADDRESS PROCESSING SYSTEM (MAPS) PARTS**

TM 11-5815-365-14-3/NAVELEX 0967-426-4011/TO 31W4-2FG-1351-6, March 1972, is changed as follows:

1. This change adds coverage of Distributor-Transmitter Sets, Teletypewriter AN/FGT-7 and AN/FGT-7A after modification to permit simplified bit order programming.
2. A vertical bar appears opposite changed material.
3. Remove and insert pages (upper outside pagination) as indicated below:

*Remove pages*

*Insert pages*

None .....9-36.1 and 9-36.2  
9-43 and 9-44 .....9-43 and 9-44

4. File this change sheet in front of the publication for reference purposes.

By Order of the Secretaries of the Army, the Navy, and the Air Force:

Official:

**VERNE L. BOWERS**  
*Major General, United States Army*  
*The Adjutant General*

**CREIGHTON W. ABRAMS**  
*General, United States Army*  
*Chief of Staff*

**RAYMOND J. SCHNEIDER,**  
*Rear Admiral, U. S. Navy,*  
*Commander, Naval Electronic Systems*  
*Command*

Official:

**JACK R. BENSON, Colonel, USAF**  
*Director of Administration*

**GEORGE S. BROWN, General, USAF**  
*Chief of Staff*

**DISTRIBUTION:**

*Active Army:*

CNGB (1)  
ACSC-E (1)  
AMC (1)  
USAMB (5)  
TRADOC (1)  
ARADCOM (1)  
USACC (1)

Armies (1)  
USASA (3)  
USASA (PAC) (2)  
USASA (SO Comd) (2)  
USASATC&S (2)  
USASESS (2)  
Ft Huachuca (2)

*NG:* None

*USAR:* None

For explanation of abbreviations used, see AR 310-50.

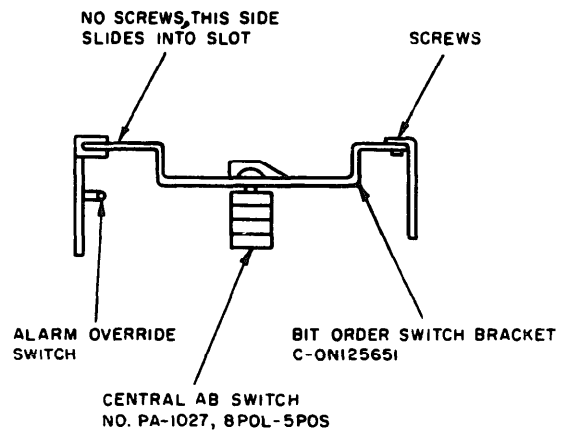
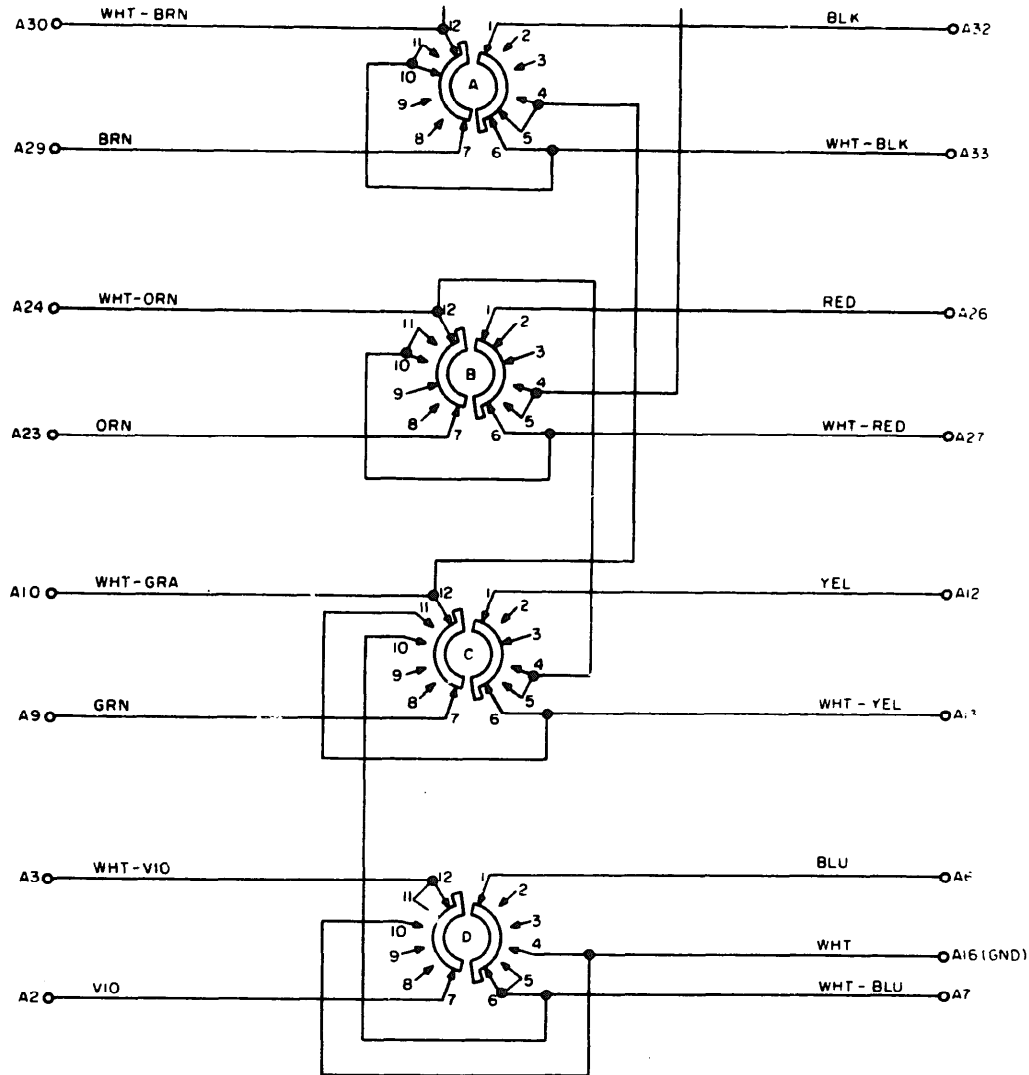


FIGURE 11.1. BIT ORDER PROGRAMMING SWITCH MOUNTING DETAILS

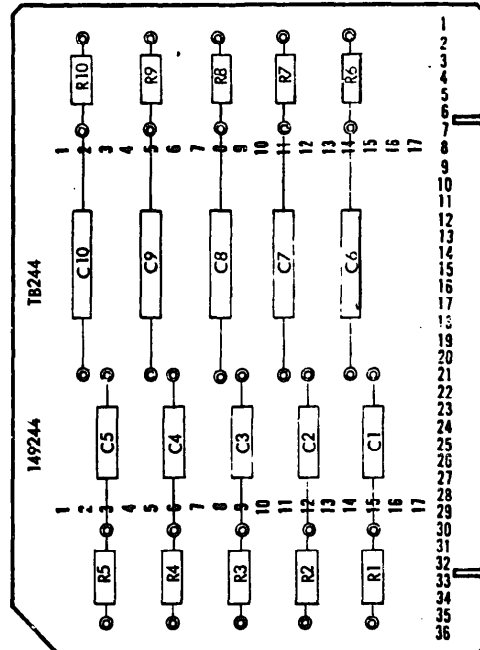
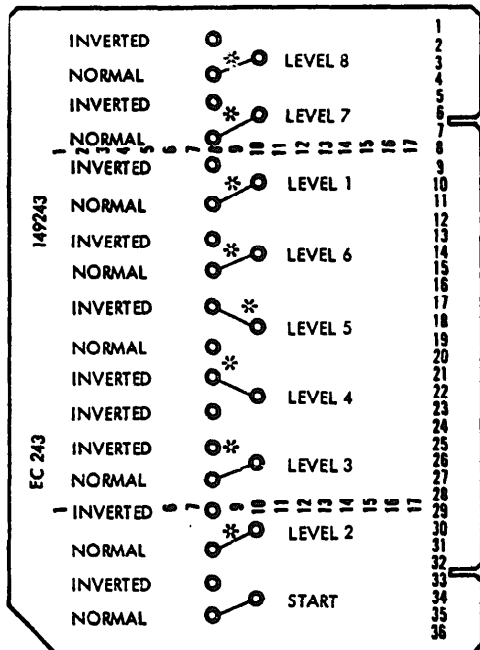


NOTES:

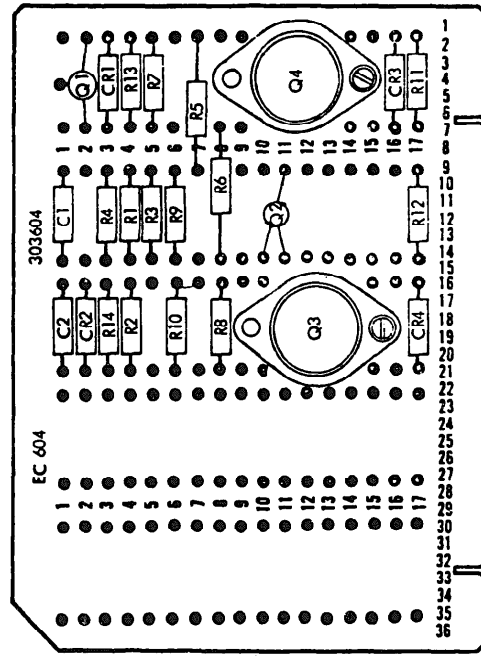
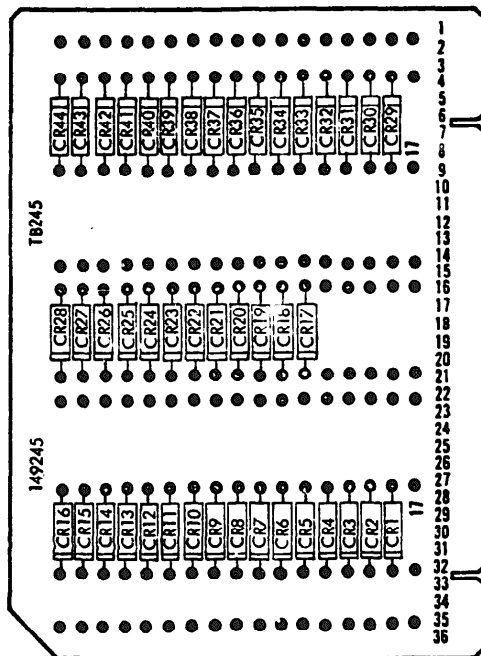
- 1 BIT ORDER SWITCH VIEWED FROM REAR "A" WAFER NEAREST CHASSIS
2. TRANSMISSION BIT ORDER:
  - POSITION 1 2-3-4-5-6-1-7-8
  - POSITION 2 1-2-3-4-5-6-7-8
  - POSITION 3 1-2-3-4-5-7
- 3 POINTS LABELED A2, A3, ETC ARE ON CONNECTOR ZA-316 REMOVE ALL STRAPS FROM TB-243 EXCEPT STRAP BETWEEN PIN 35 AND PIN 36 (START)

EL5815-365-14-3-C1-TM-1

FIGURE 11.2. BIT ORDER PROGRAMMING SWITCH, CONNECTION DETAILS.



149243 CIRCUIT CARD  
\* INDICATES STRAP NOT PRESENT WHEN MODIFIED FOR SWITCH BIT CONTROL. 149244 Circuit Card

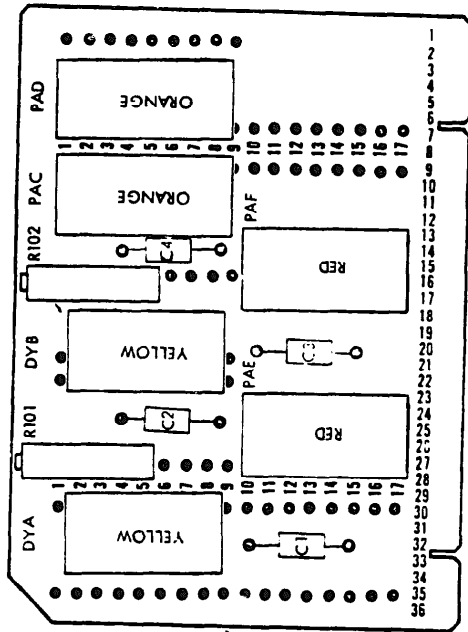


149245 Circuit Card

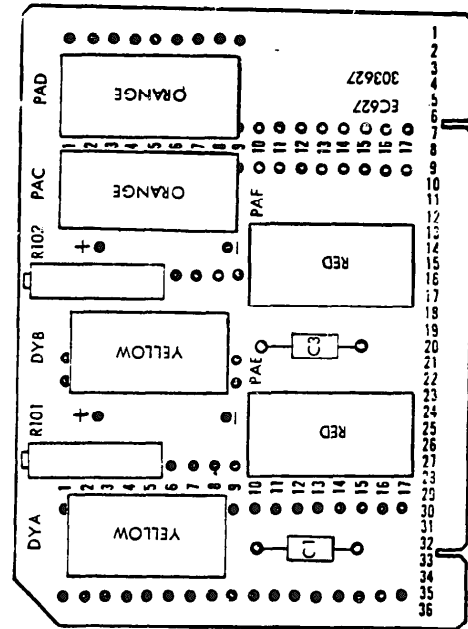
303604 Circuit Card

FIGURE 18. CIRCUIT CARD OUTLINE CHART (Continued)

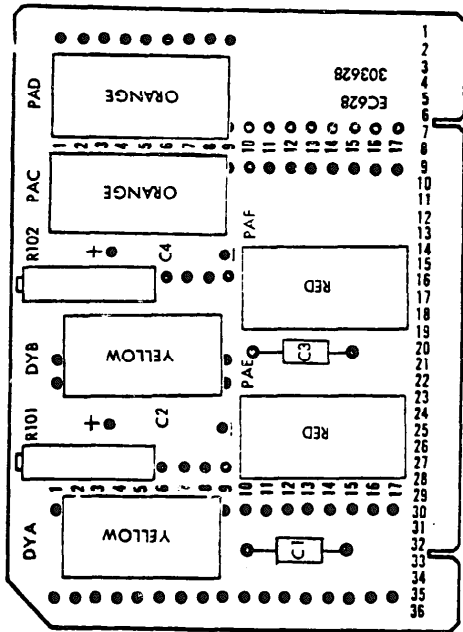




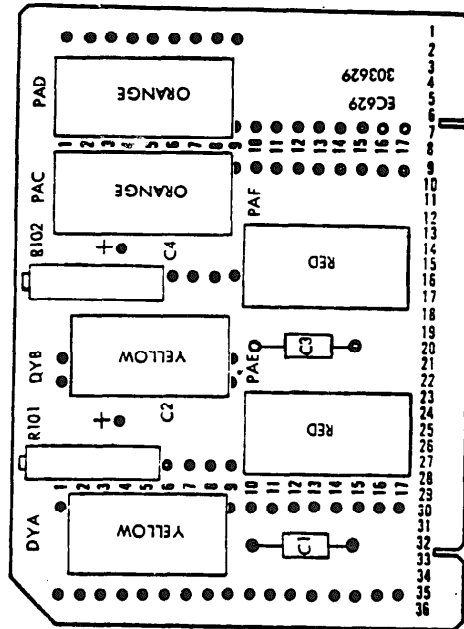
303626 Circuit Card



303627 Circuit Card



303628 Circuit Card



303629 Circuit Card

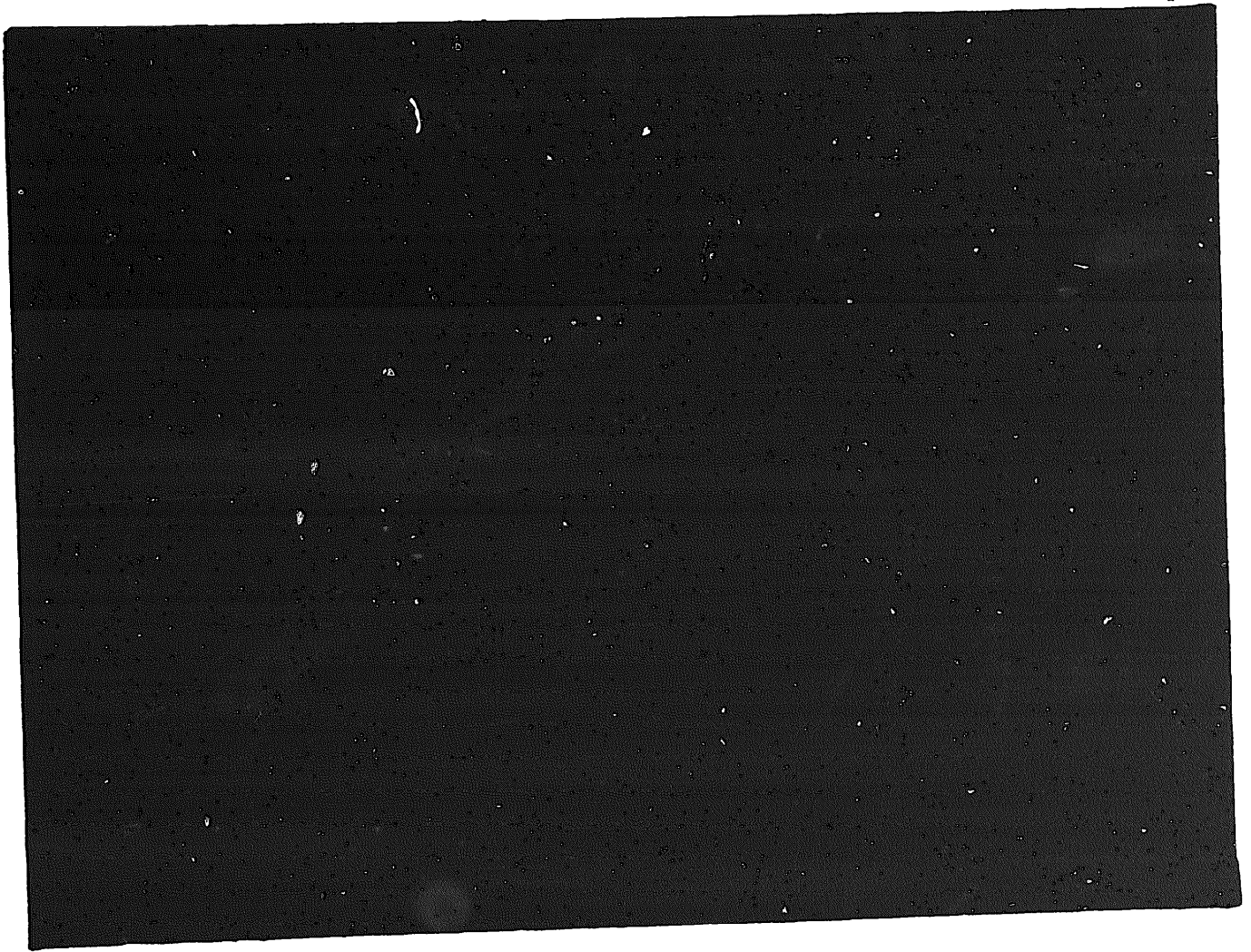
FIGURE 19. CIRCUIT CARD OUTLINE CHART (Continued)

**END**

**11-19-82**

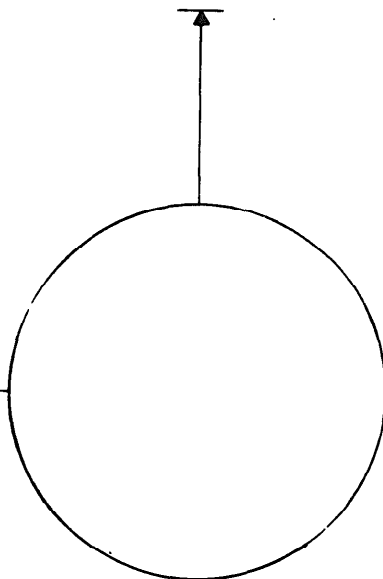
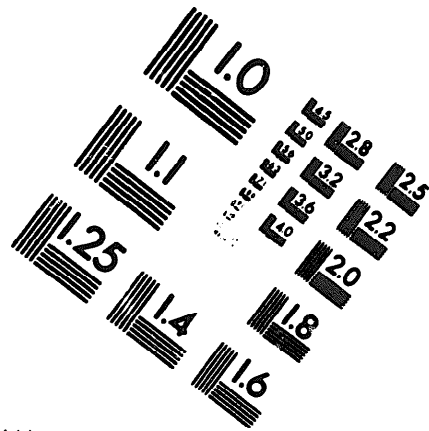
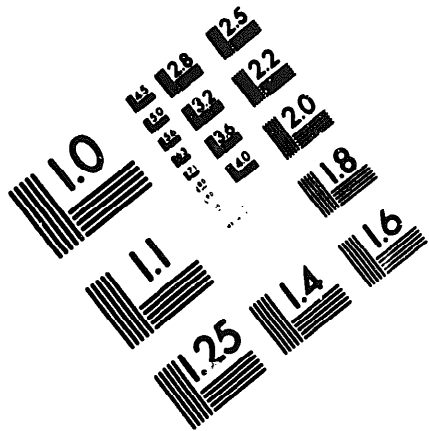
**DATE**





DEPARTMENT OF THE ARMY

MICROFORM  
TEST TARGET



150 MM

1.0 mm (e= .81 mm)

ABCDEFGHIJKLMN OPQRSTUVWXYZ1234567890  
abcdefghijklmnopqrstuvwxyz\$%&/'%# 1/2 1/4 3/4 ---+ x&@\*

1.5 mm (e= 1.09 mm)

ABCDEFGHIJKLMN OPQRSTUVWXYZ1234567890  
abcdefghijklmnopqrstuvwxyz\$%&/'%# 1/2 1/4 3/4 ---+ x&@\*

2.0 mm (e= 1.37 mm)

ABCDEFGHIJKLMN OPQRSTUVWXYZ  
abcdefghijklmnopqrstuvwxyz  
1234567890\$%&/'%# 1/2 1/4 3/4 ---+ x&@\*

2.5 mm (e= 1.77 mm)

ABCDEFGHIJKLMN OPQRSTUVWXYZ  
abcdefghijklmnopqrstuvwxyz  
1234567890\$%&/'%# 1/2 1/4 3/4 ---+ x&@\*

1.0 mm (e= .81 mm)

ABCDEFGHIJKLMN OPQRSTUVWXYZ1234567890  
abcdefghijklmnopqrstuvwxyz\$%&/'%# 1/2 1/4 3/4 ---+ x&@\*

1.5 mm (e= 1.09 mm)

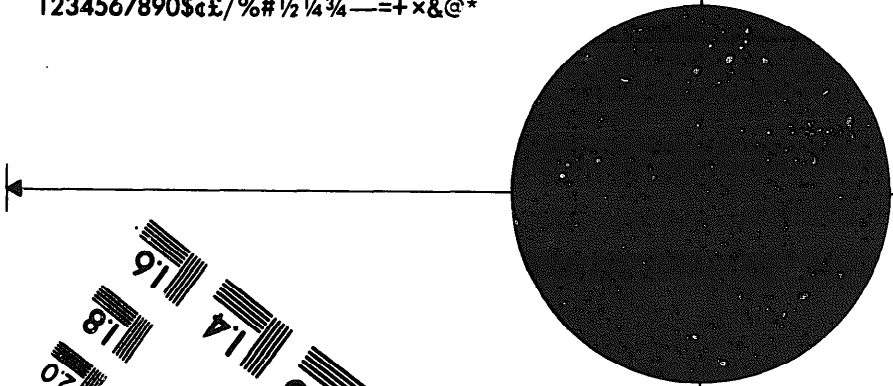
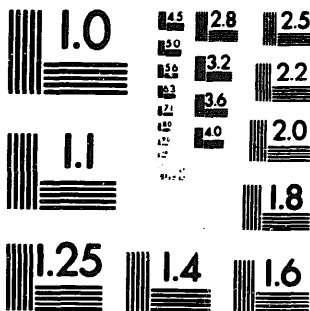
ABCDEFGHIJKLMN OPQRSTUVWXYZ1234567890  
abcdefghijklmnopqrstuvwxyz\$%&/'%# 1/2 1/4 3/4 ---+ x&@\*

2.0 mm (e= 1.37 mm)

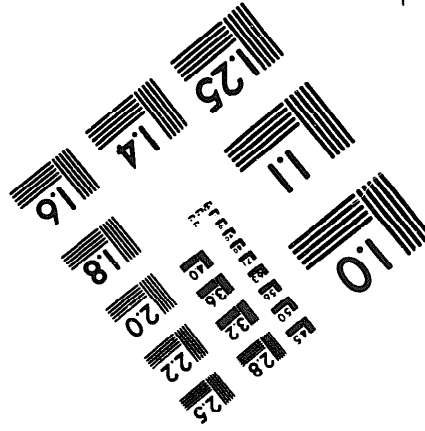
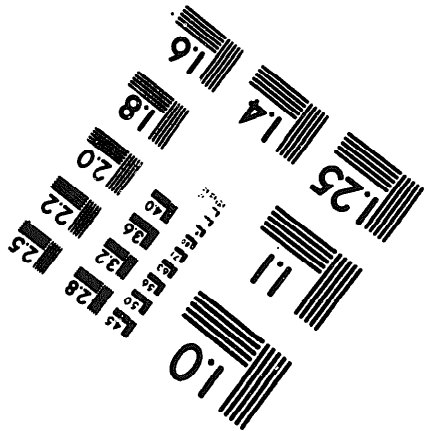
ABCDEFGHIJKLMN OPQRSTUVWXYZ  
abcdefghijklmnopqrstuvwxyz  
1234567890\$%&/'%# 1/2 1/4 3/4 ---+ x&@\*

2.5 mm (e= 1.77 mm)

ABCDEFGHIJKLMN OPQRSTUVWXYZ  
abcdefghijklmnopqrstuvwxyz  
1234567890\$%&/'%# 1/2 1/4 3/4 ---+ x&@\*



200 MM



250 MM